



MacDon[®] *Performance Parts*

2023 Parts Guide



Maximize MacDon Performance

As the best in class MacDon machines have continuously improved, so have the available enhancements. MacDon offers a variety of enhancement options that allow you to customize your MacDon to best suit your local crop conditions. It's one of the many ways we are continuing to be the leader in harvesting performance while allowing producers and custom harvesters to customize their MacDons for their crop specific conditions.



MAXIMIZE

MACDON PERFORMANCE

When new improvements are released with the latest machines, enhancements are created to apply these latest technologies to previous MacDon machines. By offering these upgrades, the goal is to provide world-class harvesting performance to all MacDon customers, regardless of model year.

Use this guide to view all available upgrades for MacDon machines. Discover part numbers, pictures, and benefits for MacDon upgrade kits and maximize your harvesting performance.

FD2 FLEXDRAPER® FOR COMBINE

Cutterbar - ClearCut™ High-Speed Cutting System	6
ClearCut™ Knife Sections	7
ClearCut™ Knife Assembly Kits	7
Knife Splice/Repair Kit - ClearCut™	8
Section Hardware - ClearCut™	8
Center Overlap Section Kit - ClearCut™	8
Pointed Knife Guards - ClearCut™	9
PlugFree™ Guards - ClearCut™	10
Pointed Knife Guard Kits - ClearCut™	11
PlugFree™ Knife Guard Kits - ClearCut™	11
Guard Hardware - ClearCut™	12
Crop Lifters	12
Feeding/Conveying	13
Side Draper Belts	13
Side Draper Connector Hardware	13
Side Draper Belt Repair Kit	13
Center Feed Draper	14
Feed Auger Finger Kit	14
Split Finger Holder	14
Skid Shoes	15
Poly Skid Shoes	15
Reel	16
Steel Reel Finger Conversion Kits	16
Reel Fingers	16
Customer Convenience Kits	17
Draper Header Service Kits	17
Service Kit Plus - Pointed Guards, Single Knife Drive	18
Service Kit Plus - Pointed Guards, Double Knife Drive	19

DRAPER HEADERS

Cutterbar	21
Sickle Sections	21
Knife Assembly Kits	22
Knife Splice/Repair Kit	22
Knife Head	22
Center Overlap Kit	23
Crop Lifters	23
Crop Lifter Storage Rack	23
Guards	24
Guard Kits	25
Conveying	26
Side Draper Belts	26
Feed Draper Belt	26
Draper Clips	27
Draper Repair Kit	27
Draper Slat Connector Kit	27
Front Track Hinge Kit	28
In Cab Side Draper Speed Control	28
Tungsten-Carbide Drive Rollers	28
Draper Header Service Kits	29
Reel	30
Anti-Wrapping Kit	30
Tine Tube Reinforcing Kit	31
Multi-Crop Rapid Reel Conversion Kit	31
Feeding	32
Solid Feed Auger Fingers	32
Split Finger Holders	32
Auger Dent Repair Kit	32
Feed Auger Finger Hole Repair Kit	33
Seed Saver Kit	33
Auger Flighting Replacement Kit	33

FM100 Auger Flighting Replacement Kit	34
Skid Shoes	35
Cutterbar Poly	35
Poly Skid Shoes	35
Steel Skid Shoes	35
Other	36
Front Link Upgrade Kit	36
Compression Link Upgrade Kit	36
Fill Tube Extension Kit	36
Aluminum Gearbox Upgrade	37
Foot Switch	37
Dual Sensor AHHC Kit	37
Paint	37
ContourBuddy™	39

WINDROWERS

Cab Shock Kit	41
Walking Beam Poly Bushing	41
Unions to Replace Flat Face Couplers	41
Annual Filter Kits	43

ROTARY HEADERS

Rotary Blades	45
Rotary Quick Change Blade Kit	45
R1 Blade Lowering Kit	46
R116 Small Drum Kit	46
R85 Auger Chrome Replacement Flighting	46
Chrome Auger Kit (16ft)	47
Rotary Disc Service Kits	47

PICK-UP HEADERS

Split Finger Holders	49
Auger Dent Repair Kit	49
Pick-up Header Draper Belts	49

AUGER HEADERS

Reel Tine Hardware	51
Swath Baffle Adjuster Brace Kit	51
Auger Edge Flighting Repair Kit	51
Full Flighting Repair Kit	51

CORN HEADERS

C-Series Corn Header Parts	53
----------------------------	----

QUICK REFERENCE CHARTS

Packaged Parts Reference Chart	54
Filter Quick Reference Chart	55

MODEL COMPATIBILITY GUIDES

Model Cross Reference Guide	56
Model Compatibility Guide	58

MacDon *Performance Parts*



FD2 FlexDraper[®] for Combine

FD2 Introduction

Keep your FD2 at peak performance with MacDon Performance Parts!

The FD2 FlexDraper® provides you with even more harvesting performance utilizing an all-new lineup of MacDon Performance Parts. This quick reference guide provides an in-depth breakdown of the new wear parts including pictures, part numbers and more.

Now that's convenient!





CUT CLEANER. CUT FASTER. CUT MORE.

MacDon's ClearCut™ High-Speed Cutting System delivers just that; clean cutting at up to 30% faster speeds*. Helping you get there is MacDon's improved knife drive with more power and new knife section geometry with 25% more cutting surface. A smooth close shave comes from two unique ClearCut™ Knife Guards; choose between Pointed Knife Guards or PlugFree™ Knife Guards that resist plugging even in the nastiest conditions.

1-SERIES SECTION



2-SERIES SECTION



1-SERIES GUARD



2-SERIES GUARD



1-SERIES & 2-SERIES DIFFERENCES

2-Series Guards and Sections are not compatible with older generation MacDon headers.

*Compared to previous model.

ClearCut™ Knife Sections

FITS

FD2/D2 Series Draper Headers

DESCRIPTION

MacDon ClearCut™ knife sections feature over 25% more cutting surface thanks to a longer blade and improved geometry. So what does that mean for you? It means faster, cleaner cut quality at higher ground speeds.

FEATURES/BENEFITS

- » Ultra coarse, Coarse and Fine serrated options available
- » Austempered heat treatment for tougher, longer lasting sections
- » Designed to self-sharpen as they wear
- » Guaranteed hole spacing means your replacement sickle section will fit your MacDon perfectly every time

PART # See Table

PART #	DESCRIPTION
286461	SECTION - STANDARD CLEARCUT COARSE (25 PK)
286462	SECTION - STANDARD CLEARCUT FINE (25 PK)
286627	SECTION - STANDARD CLEARCUT ULTRA COARSE (25 PK)
226983	SECTION - END (SINGLE)
286463	SECTION - CLEARCUT COARSE TOP COUNTER SUNK (10 PK)
286465	SECTION - CLEARCUT FINE TOP COUNTER SUNK (10 PK)
286628	SECTION - CLEARCUT ULTRA COARSE TOP COUNTER SUNK (10 PK)
286464	SECTION - CLEARCUT COARSE BOTTOM COUNTER SUNK (10 PK)
286466	SECTION - CLEARCUT FINE BOTTOM COUNTER SUNK (10 PK)
286629	SECTION - CLEARCUT ULTRA COARSE BOTTOM COUNTER SUNK (10 PK)

Notes:

**Not compatible with older generation MacDon headers.*

Know how to choose your sickle sections

When choosing your knife, choose a serration based on the types of crops you are cutting.



Ultra-coarse sections are recommended for thicker stemmed crops and adverse soybean conditions.



Coarse sections are recommended for cereals, canola, pulses and soybeans.



Fine sections are recommended for use in forage, grasses and thin stemmed crops like flax and lentils.

ClearCut™ Knife Assembly Kits

FITS

FD2/D2 Series Draper Headers

PART # See Tables

DESCRIPTION

Provides all necessary knife segments and splice kits required to replace the complete knife on a header.

FEATURES/BENEFITS

- » Comes packaged in 1 box for ease of transportation from dealership to field

SINGLE KNIFE DRIVE

PART #	DESCRIPTION
286597	KIT - KNIFE 25FT SK COARSE
286598	KIT - KNIFE 30FT SK COARSE
286599	KIT - KNIFE 35FT SK COARSE
286600	KIT - KNIFE 40FT SK COARSE

DOUBLE KNIFE DRIVE

PART #	DESCRIPTION
286602	KIT - KNIFE 25FT DK COARSE
286603	KIT - KNIFE 30FT DK COARSE
286604	KIT - KNIFE 35FT DK COARSE
286605	KIT - KNIFE 40FT DK COARSE
286606	KIT - KNIFE 41FT DK COARSE
286607	KIT - KNIFE 45FT DK COARSE
286608	KIT - KNIFE 50FT DK COARSE

Notes:

**Knife Heads (226941 - for both RH & LH) are sold separately.*

Knife Splice/Repair Kit - ClearCut™

FITS

FD2/D2 Series Draper Headers

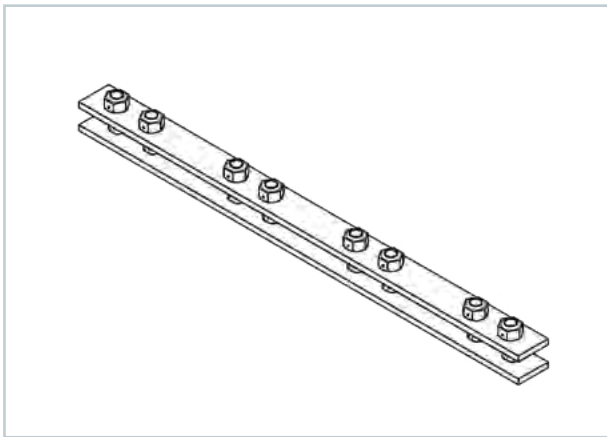
PART # 286493

DESCRIPTION

Splice kit to repair broken knife or to assemble segments.

FEATURES/BENEFITS

- » Provides a quick repair for broken sickles
- » Durable connection, the same used for splicing segmented knives together



Section Hardware - ClearCut™

FITS

FD2/D2 Series Draper Headers

DESCRIPTION

Convenient Knife Section Hardware Packs.

FEATURES/BENEFITS

- » Redesigned bolts make in-field knife section replacement quick and easy

PART #	DESCRIPTION
286475	STANDARD LENGTH SECTION BOLT 50PK, 18MM C/W NUTS
286476	KNIFE HEAD SECTION BOLT - SHORT 25PK, 22MM C/W NUTS
286477	KNIFE HEAD SECTION BOLT - LONG 25PK, 29MM C/W NUTS
286478	CENTER OVERLAP SECTION BOLT 25PK, 14MM C/W NUTS
286621	KNIFE SPLICE SECTION BOLT 25 PK, 22MM C/W NUTS
286481	KNIFE REINFORCEMENT BAR (DRIVE END) 25PK

Notes:

*Knife Section not included.



Center Overlap Section Kit - ClearCut™

FITS

FD2/D2 Series Draper Headers

PART # 286473 (Coarse), 286474 (Fine), 286635 (Ultra Coarse)

DESCRIPTION

Contains all special countersunk sections and hardware for the center knife overlap on Double Knife Drive Headers.

FEATURES/BENEFITS

- » Eliminates the need of buying larger 10 packs of top and bottom countersunk sections

Notes:

*For Double Knife Drive (DK) headers only.



Pointed Knife Guards - ClearCut™

FITS

FD2/D2 Series Draper Headers

PART # See Table

DESCRIPTION

Pointed Knife Guards are multi-purpose knife guards designed to glide along the surface at high cutting speeds for a clean, even cut every time.

FEATURES/BENEFITS

- » Cutting surface is induction hardened providing targeted hardening in high contact areas, resulting in a superior cutting performance
- » Critical dimensions ensure a perfect fit on your MacDon machine every time, allowing for minimal downtime and quick replacements
- » Tapered edge design allows for sickle sections to be replaced without replacing guard

REF	PART #	DESCRIPTION
1	286315	POINTED KNIFE GUARD (STANDARD GUARD)
2	286316	POINTED END KNIFE GUARD (USED AT POSITIONS 2,3,4 FROM EACH DRIVE END)
3	286329	HOLD DOWN - POINTED GUARD
4	286317	POINTED CENTER KNIFE GUARD BOTTOM (DK DRIVE HEADER ONLY)
5	286332	POINTED CENTER KNIFE GUARD TOP (DK DRIVE HEADER ONLY)
6	286319	PLUGFREE™ END KNIFE GUARD (USED AT DRIVE END)
7	286318	PLUGFREE™ KNIFE GUARD - (USED AT RH END - SK HEADERS ONLY)
8	286331	HOLD DOWN - PLUGFREE™ END GUARD (TOP FOR 286318 & 286319)



Notes:

*Not compatible with older generation MacDon headers.

PlugFree™ Knife Guards - ClearCut™

FITS

FD2/D2 Series Draper Headers

PART # See Table

DESCRIPTION

This guard design gets the knife as close to the ground as possible while still protecting the blade from damaging debris in the field.

FEATURES/BENEFITS

» PlugFree™ Knife Guards resist plugging even in the nastiest conditions providing the closest, cleanest possible shave of the ground

REF	PART #	DESCRIPTION
1	286318	PLUGFREE™ KNIFE GUARD (STANDARD)
2	286330	HOLD DOWN - PLUGFREE™ GUARD (PAIRED WITH 286318, EXCEPT ON SK DRIVE HEADERS AT RH END)
3	286319	PLUGFREE™ KNIFE GUARD - END (USED AT POSITIONS 2,3,4 FROM EACH DRIVE END)
4	286331	HOLD DOWN - PLUGFREE™ GUARD END (PAIRED WITH 286319 AND USED AT RH END ON SK DRIVE HEADERS)
5	286333	PLUGFREE™ CENTER KNIFE GUARD - TOP (DK DRIVE HEADERS ONLY)
6	286320	PLUGFREE™ CENTER KNIFE GUARD - BOTTOM (DK DRIVE HEADERS ONLY)



Notes:

*Not compatible with older generation MacDon headers.

Pointed Knife Guard Kits - ClearCut™

FITS

FD2/D2 Series Draper Headers

PART # See Tables

DESCRIPTION

Kits include all guards required to do a complete cutterbar replacement.

FEATURES/BENEFITS

» Convenient kits, ensure customers get all guards needed for a complete replacement

SINGLE KNIFE DRIVE

PART #	DESCRIPTION
286668	KIT - POINTED GUARDS 25FT SK
286669	KIT - POINTED GUARDS 30FT SK
286670	KIT - POINTED GUARDS 35FT SK
286671	KIT - POINTED GUARDS 40FT SK

DOUBLE KNIFE DRIVE

PART #	DESCRIPTION
286661	KIT - POINTED GUARDS 25FT DK
286662	KIT - POINTED GUARDS 30FT DK
286663	KIT - POINTED GUARDS 35FT DK
286664	KIT - POINTED GUARDS 40FT DK
286665	KIT - POINTED GUARDS 41FT DK
286666	KIT - POINTED GUARDS 45FT DK
286667	KIT - POINTED GUARDS 50FT DK

Notes:

*Hardware sold separately.

PlugFree™ Knife Guard Kits - ClearCut™

FITS

FD2/D2 Series Draper Headers

PART # See Tables

DESCRIPTION

Kit includes all guards required to do a complete cutterbar replacement.

FEATURES/BENEFITS

» Convenient kits, ensure customers get all guards needed for a cutterbar rebuild

SINGLE KNIFE DRIVE

PART #	DESCRIPTION
286679	KIT - PLUGFREE™ GUARDS 25FT SK
286680	KIT - PLUGFREE™ GUARDS 30FT SK
286681	KIT - PLUGFREE™ GUARDS 35FT SK
286682	KIT - PLUGFREE™ GUARDS 40FT SK

DOUBLE KNIFE DRIVE

PART #	DESCRIPTION
286672	KIT - PLUGFREE™ GUARDS 25FT DK
286673	KIT - PLUGFREE™ GUARDS 30FT DK
286674	KIT - PLUGFREE™ GUARDS 35FT DK
286675	KIT - PLUGFREE™ GUARDS 40FT DK
286676	KIT - PLUGFREE™ GUARDS 41FT DK
286677	KIT - PLUGFREE™ GUARDS 45FT DK
286678	KIT - PLUGFREE™ GUARDS 50FT DK

Notes:

*Hardware sold separately.



Guard Hardware - ClearCut™

FITS

FD2/D2 Series Draper Headers

PART # See Table

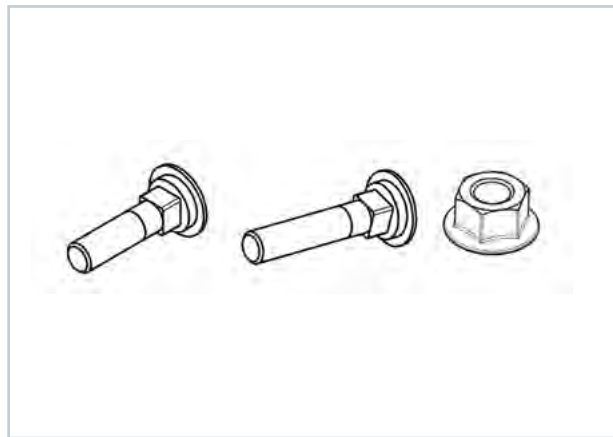
DESCRIPTION

Hardware used with both Pointed and PlugFree™ Knife Guards and hold downs.

FEATURES/BENEFITS

- » Hardware designed to meet the rigorous stresses of cutterbar demands
- » Optimizes form and fit of cutterbar poly to guard for single tool replacement

PART #	DESCRIPTION
226295	STANDARD GUARD BOLT - 47mm
226280	LONG GUARD BOLT - 60mm
136036	GUARD NUT
136005	HOLD DOWN ADJUSTER BOLT



Crop Lifters

FITS

FD2/D2 Series Draper Headers

PART # 233748 (SINGLE)

DESCRIPTION

For use with Pointed Guards, Crop Lifters are recommended for severely lodged cereal crops where operator wants maximum possible stubble height.

FEATURES/BENEFITS

- » Offers a custom header fit providing optimal functionality through all tilt angles
- » Custom fit to MacDon guards to minimize movement during cutting and prevent loss of lifters
- » Curved contact point allows lifter to glide along the ground without digging or getting knocked off

Notes:

**Sold as B7022 (10 Pack) through Whole Goods, dealer installed/ aftermarket option only.*



Side Draper Belts

FITS

FD2/D2 Series Draper Headers

PART # See Table

DESCRIPTION

Side Draper Belts for FD2. Connector Hardware Kit 319095 is included.

FEATURES/BENEFITS

- » Double V-Guide allows for fully reversible drapers, extending draper life
- » Exclusive cutterbar seal prevents seed loss at leading edge of draper
- » Metal slat connectors provide increased durability and an optimal connection for longer lasting drapers
- » Better feeding with more capacity with 50" width
- » MacDon branded for authenticity

SIZE	PART #	SIZE	PART #
25 FT	319098	41 FT	319102
30 FT	319099	45 FT	319103
35 FT	319100	50 FT	319104
40 FT	319101	BULK ROLL	319540



Side Draper Connector Hardware

FITS

FD2/D2 Series Draper Headers

PART # See Table

DESCRIPTION

Convenient hardware kits for draper connector slat repair.

FEATURES/BENEFITS

- » Refer to table for different repair kit options

PART #	DESCRIPTION
319345	BOLT - DRAPER SLAT CONNECTOR 30PK, 34mm C/W NUTS
319095	KIT - SIDE DRAPER CONNECTOR (CONTAINS, 319346, 319347, 275785, AND ALL HARDWARE)
319346	KIT - LONG CENTER CONNECTOR SLAT BARS (CONTAINS HARDWARE)
319347	KIT - SHORT HEM CONNECTOR SLAT BARS (CONTAINS HARDWARE)
275785	CONNECTOR BRIDGE (USED TO CONNECT DRAPER AT CUTTERBAR SEAL, 1 PER SIDE DRAPER)



Side Draper Belt Repair Kit

FITS

FD2/D2 Series Draper Headers

PART # 319105

DESCRIPTION

319105 comes with a 500mm (20") repair piece and (2) 319095 Connector Kits.

FEATURES/BENEFITS

- » Low cost alternative to replacing entire draper
- » Simply cut out damaged section and splice in repair section with the included hardware



Center Feed Draper

FITS

FD2/D2 Series Draper Headers

PART # 322555

DESCRIPTION

Center Feed Draper Belt on FM200.

FEATURES/BENEFITS

- » Two ply construction with rubber skim coating for maximum durability

Notes:

*Connector Hardware: Screws (135630 - 50 PK), Nuts (135626 - 50 PK) and Draper Connector Straps (130283) sold separately.



Feed Auger Finger Kit

FITS

FD2/D2 Series Draper Headers

PART # 337152

DESCRIPTION

Kit contains the Solid Feed Auger Finger and Guide (337143).

FEATURES/BENEFITS

- » Solid Feed Auger Fingers undergo a unique heat treatment process known as Austempering to provide a tougher, and more impact resistant structure, for maximum strength and wear characteristics
- » Improved finger guide material for better wear resistance

Notes:

*Important: Guide 337143 must be replaced alongside finger.



Split Finger Holder

FITS

FD2/D2 Series Draper Headers

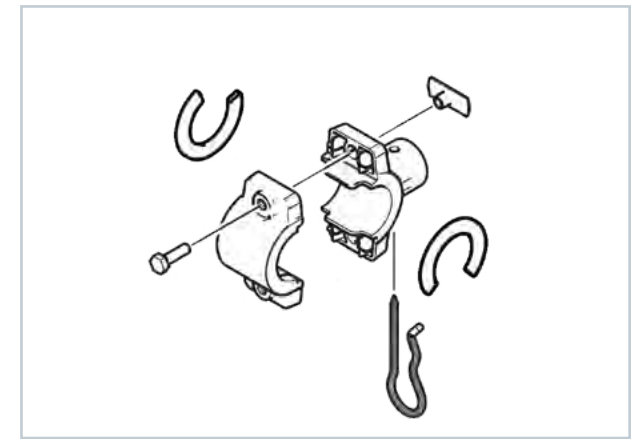
PART # 276839

DESCRIPTION

A two-piece, bolt together feed auger finger holder (pack of 5).

FEATURES/BENEFITS

- » Allows for the quick replacement of damaged feed auger finger holders
- » Doesn't require removal of all drum fingers in order to slide over new holder
- » Doesn't require disassembly of drum if spare finger holders run out





PART #	DESCRIPTION
276202	SKID SHOE-TRANSITION PAN (4 TOTAL PER HEADER)
289759	SKID SHOE POLY - WEARPLATE (6 TOTAL PER HEADER)
286257	CUTTERBAR SKID SHOE (2 PER FOOT OF HEADER WIDTH)

Poly Skid Shoes

FITS

FD2/D2 Series Draper Headers

PART # See Table

DESCRIPTION

Molded plastic skid shoes.

FEATURES/BENEFITS

- » Guaranteed fit to minimize replacement time
- » Allows cutting height adjustment when cutting on the ground
- » Designed to flex and shed mud in wet conditions



Steel Reel Finger Conversion Kits

FITS

FD2/D2 Series Draper Headers

PART # See Table

DESCRIPTION

Heavy duty Steel Finger Kits provide a longer lasting solution in rice and other abrasive crop conditions.

FEATURES/BENEFITS

» Coil steel for flexibility and durability

PART #	DESCRIPTION
311054	STEEL REEL FINGER KIT-30FT DR 5 BAT
311055	STEEL REEL FINGER KIT-30FT DR 6 BAT
311068	STEEL REEL FINGER KIT-35FT DR 5 BAT
311069	STEEL REEL FINGER KIT-35FT DR 6 BAT

Notes:

*Steel fingers are aftermarket only - available only through MacDon Parts.



Reel Fingers

FITS

FD2/D2 Series Draper Headers

PART # See Table

DESCRIPTION

Part of the Clean Sweep Crop Keeper System, heavy duty reel fingers come standard on every FD2 Header.

FEATURES/BENEFITS

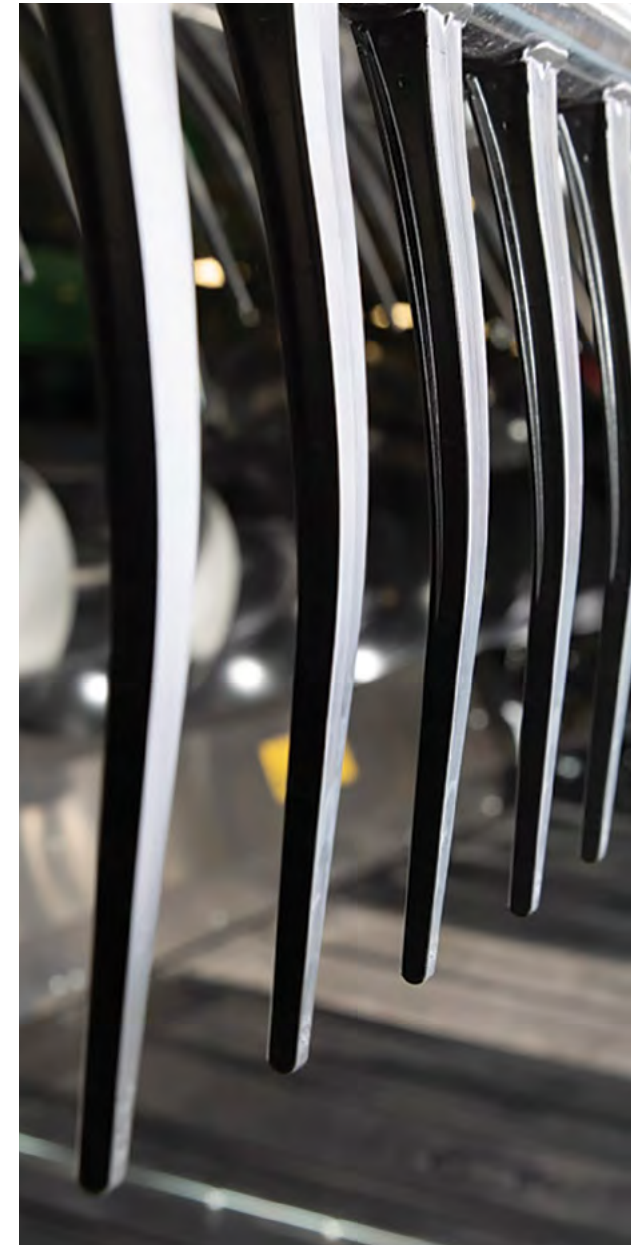
» New Angled fingers for better corner cleaning

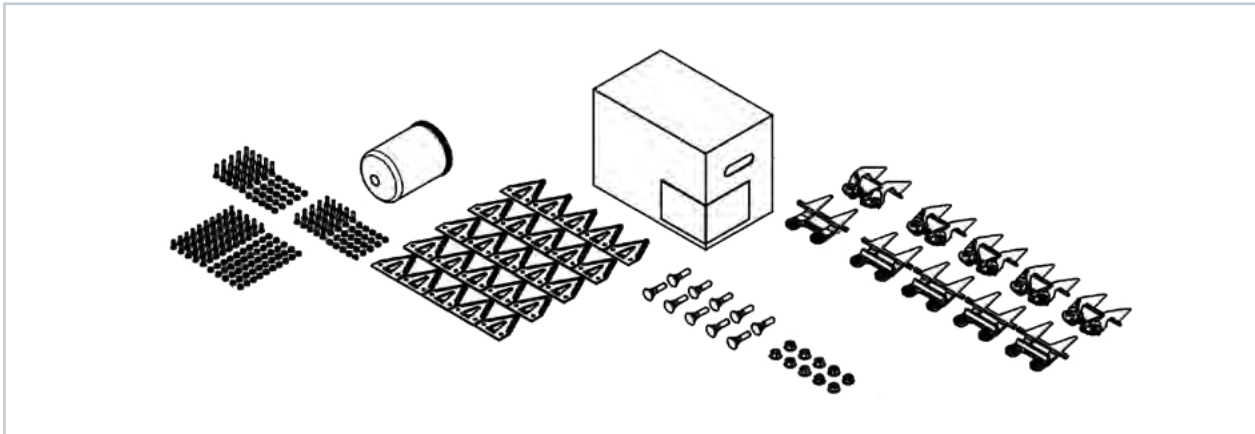
» Work in conjunction with the reel end shield crop paddles and deflectors to keep your crop moving

PART #	DESCRIPTION
289742	END SHIELD DEFLECTOR FINGER*
311523	PLASTIC REEL FINGER - RH ANGLED 10PK
311524	PLASTIC REEL FINGER - LH ANGLED 10PK
174849	PLASTIC REEL FINGERS 10PK
311325	STEEL REEL FINGER - CAM END RH
311327	STEEL REEL FINGER - CAM END LH

Notes:

*289742 End Shield Deflector Finger is designed to enhance feeding at ends of header.





Draper Header Service Kits

FITS

FD2/D2 Series Draper Headers

PART # 311789 (Pointed Guards) & 311790 (PlugFree™ Guards)
- See tables for kit contents

DESCRIPTION

Convenient wear parts kits available for both Pointed and PlugFree Guard configured headers.

FEATURES/BENEFITS

» Like a “First-Aid Kit” for your header

311789

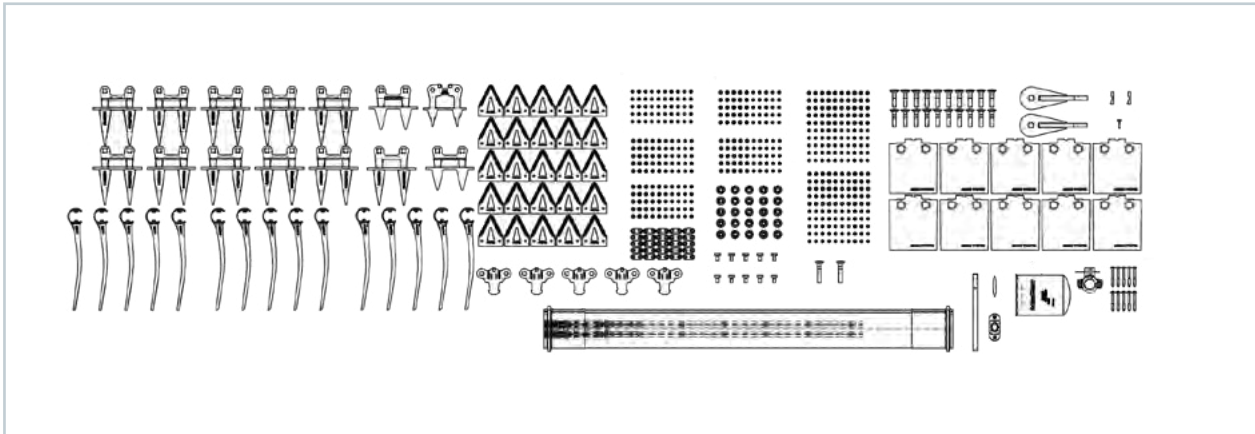
FD2 POINTED GUARD SERVICE KIT – CONTENTS

PART #	DESCRIPTION	QTY
136036	GUARD NUT	10
320360	HYDRAULIC FILTER	1
226295	STANDARD GUARD BOLT - 47mm	10
286315	POINTED KNIFE GUARD (STANDARD GUARD)	4
286316	POINTED END KNIFE GUARD (USED AT POSITIONS 2,3,4 FROM EACH DRIVE END)	1
286461	CLEARCUT™ COARSE SECTION 25PK	1
286475	STANDARD LENGTH SECTION BOLT 50PK, 18mm C/W NUTS	1
286476	KNIFE HEAD SECTION BOLT - SHORT 25PK, 22mm C/W NUTS	1
286477	KNIFE HEAD SECTION BOLT - LONG 25PK, 29mm C/W NUTS	1

311790

FD2 PLUGFREE™ GUARD SERVICE KIT – CONTENTS

PART #	DESCRIPTION	QTY
136036	GUARD NUT	10
320360	HYDRAULIC FILTER	1
226295	STANDARD GUARD BOLT - 47mm	10
286318	PLUGFREE™ SHORT KNIFE GUARD	4
286319	PLUGFREE™ END KNIFE GUARD	1
286330	HOLD DOWN - PLUGFREE™ GUARD	4
286331	HOLD DOWN - PLUGFREE™ GUARD END (PAIRED WITH 286319 AND USED AT RH END ON SK DRIVE HEADERS)	1
286461	CLEARCUT™ COARSE SECTION 25PK	1
286475	STANDARD LENGTH SECTION BOLT 50PK, 18mm C/W NUTS	1
286476	KNIFE HEAD SECTION BOLT - SHORT 25PK, 22mm C/W NUTS	1
286477	KNIFE HEAD SECTION BOLT - LONG 25PK, 29mm C/W NUTS	1



Service Kit Plus - Pointed Guard, Single Knife Drive

FITS

FD2/D2 Series Draper Headers

PART # 340492 – See tables for kit contents

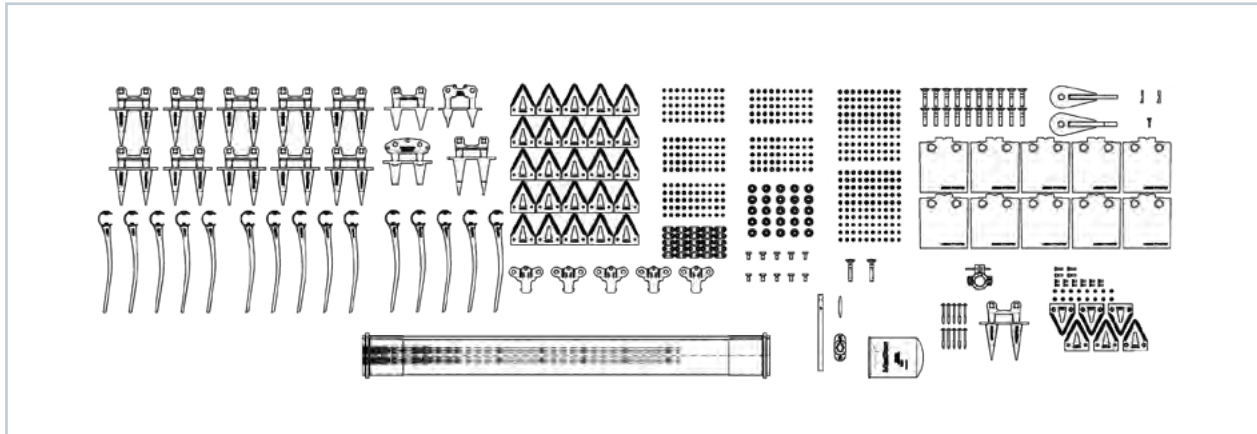
DESCRIPTION

A convenient kit of common wear parts and repair kits for use with single knife drive headers configured with Pointed Guards.

FEATURES/BENEFITS

» Ideal for customers seeking greater uptime and harvest efficiency

PART #	DESCRIPTION	QTY
135630	FEED DRAPER CONNECTOR SLAT BOLT 50PK	1
136005	HOLD DOWN ADJUSTER BOLT	10
136036	GUARD NUT	25
174849	PLASTIC REEL FINGERS 10PK	1
320360	HYDRAULIC FILTER	1
226280	LONG GUARD BOLT - 60mm	2
226295	STANDARD GUARD BOLT - 47mm	20
252687	REEL FINGER BOLT	10
258876	HEADER BREAKAWAY HOOK	2
275864	KEY - DRAPER DRIVE MOTOR	2
276839	SPLIT FINGER HOLDER - AUGER FINGER 5PK	1
286257	CUTTERBAR SKID SHOE	10
286315	POINTED KNIFE GUARD (STANDARD GUARD)	10
286316	POINTED END KNIFE GUARD (USED AT POSITIONS 2,3,4 FROM EACH DRIVE END)	1
286318	PLUGFREE™ KNIFE GUARD - (USED AT RH END – SK HEADERS ONLY)	1
286319	PLUGFREE™ END KNIFE GUARD (USED AT DRIVE END)	1
286329	HOLD DOWN - POINTED GUARD	5
286331	HOLD DOWN - PLUGFREE™ END GUARD (TOP FOR 286318 & 286319)	1
286461	CLEARCUT™ COARSE SECTION 25PK	1
286475	STANDARD LENGTH SECTION BOLT 50PK, 18mm C/W NUTS	2
286476	KNIFE HEAD SECTION BOLT - SHORT 25PK, 22mm C/W NUTS	2
286477	KNIFE HEAD SECTION BOLT - LONG 25PK, 29mm C/W NUTS	2
286479	KNIFE SECTION NUT 50PK	1
286481	KNIFE REINFORCEMENT BAR 25PK	1
311523	PLASTIC REEL FINGER - RH ANGLED 10PK	1
311524	PLASTIC REEL FINGER - LH ANGLED 10PK	1
319105	DRAPER REPAIR KIT - 500mm (20") PIECE	1
337152	FEED AUGER FINGER KIT	1



Service Kit Plus - Pointed Guard, Double Knife Drive

FITS

FD2/D2 Series Draper Headers

PART # 340493 – See tables for kit contents

DESCRIPTION

A convenient kit of common wear parts and repair kits for use with double knife drive headers configured with Pointed Guards.

FEATURES/BENEFITS

» Ideal for customers seeking greater uptime and harvest efficiency

PART #	DESCRIPTION	QTY
135630	FEED DRAPER CONNECTOR SLAT BOLT 50PK	1
136005	HOLD DOWN ADJUSTER BOLT	10
136036	GUARD NUT	25
174849	PLASTIC REEL FINGERS 10PK	1
320360	HYDRAULIC FILTER	1
226280	LONG GUARD BOLT - 60mm	2
226295	STANDARD GUARD BOLT - 47mm	20
252687	REEL FINGER BOLT	10
258876	HEADER BREAKAWAY HOOK	2
275864	KEY - DRAPER DRIVE MOTOR	2
276839	SPLIT FINGER HOLDER - AUGER FINGER 5PK	1
286257	CUTTERBAR SKID SHOE	10
286315	POINTED KNIFE GUARD (STANDARD GUARD)	10
286316	POINTED END KNIFE GUARD (USED AT POSITIONS 2,3,4 FROM EACH DRIVE END)	1
286317	POINTED CENTER KNIFE GUARD BOTTOM	1
286319	PLUGFREE™ END KNIFE GUARD (USED AT DRIVE ENDS)	1
286329	HOLD DOWN - POINTED GUARD	5
286331	HOLD DOWN - PLUGFREE™ END GUARD (TOP FOR 286318 & 286319)	1
286332	POINTED CENTER KNIFE GUARD TOP	1
286461	CLEARCUT™ COARSE SECTION 25PK	1
286473	CENTER KNIFE SECTION OVERLAP KIT	1
286475	STANDARD LENGTH SECTION BOLT 50PK, 18mm C/W NUTS	2
286476	KNIFE HEAD SECTION BOLT - SHORT 25PK, 22mm C/W NUTS	2
286477	KNIFE HEAD SECTION BOLT - LONG 25PK, 29mm C/W NUTS	2
286479	KNIFE SECTION NUT 50PK	1
286481	KNIFE REINFORCEMENT BAR 25PK	1
311523	PLASTIC REEL FINGER - RH ANGLED 10PK	1
311524	PLASTIC REEL FINGER - LH ANGLED 10PK	1
319105	DRAPER REPAIR KIT - 500mm (20") PIECE	1
337152	FEED AUGER FINGER KIT	1

MacDon *Performance Parts*



Draper Headers

Sickle Sections

FITS

All MacDon Draper Headers*, Case 2142/2152/2162, New Holland 82C/83C/86C, JD 400D Series

PART # See Tables

DESCRIPTION

MacDon Austempered Sickle Sections undergo a unique heat treatment process to provide a tougher, and more impact resistant structure, for maximum strength and wear characteristics! Can be used in any harvest situation, designed and engineered to perform better than standard sickle sections.

Busatis Sickle Sections (non-Austempered option) are also available for 1-Series and older headers. They are a more economical version when compared against our factory standard Austempered sections.

FEATURES/BENEFITS

- » Designed to self sharpen as they wear, meaning your sickle sections will continue to stay sharp throughout the section life
- » Guaranteed hole spacing means your replacement sickle section will fit your MacDon perfectly every time, inconsistently spaced holes lead to premature bolt failure costing valuable downtime

AUSTEMPERED SICKLE SECTIONS

PART #	DESCRIPTION
279641	COARSE SECTION (25 PK)
279642	FINE SECTION (25 PK)
294947	ULTRA COARSE SECTION (25 PK)
279310	COARSE BOTTOM COUNTER SUNK SECTION (10 PK)
279312	FINE BOTTOM COUNTER SUNK SECTION (10 PK)
279314	CHAMFERED COARSE TOP COUNTER SUNK SECTION (10 PK)
279316	CHAMFERED FINE TOP COUNTER SUNK SECTION (10 PK)

BUSATIS SICKLE SECTIONS

PART #	DESCRIPTION
174845	COARSE BUSATIS SECTION (25 PK)
118491	FINE BUSATIS SECTION (25 PK)
279999	COARSE TOP COUNTER SUNK BUSATIS SECTION (10 PK)
279848	FINE TOP COUNTER SUNK BUSATIS SECTION (10 PK)
279851	COARSE BOTTOM COUNTER SUNK BUSATIS SECTION (10 PK)
279850	FINE BOTTOM COUNTER SUNK BUSATIS SECTION (10 PK)

Notes:

* Exclude FD2/D2 Series Draper Headers

AUSTEMPERED ULTRA-COARSE SECTION



For thicker stemmed crops and adverse soybean conditions

AUSTEMPERED FINE SECTION



For forage, grasses and thin stemmed crops like flax and lentils

AUSTEMPERED COARSE SECTION



For cereals, canola, pulses and soybeans

BUSATIS COARSE SECTION



For cereals, canola, pulses and soybeans

Knife Assembly Kits

FITS

All D and FD Series[^], Case 2142/2152/2162, New Holland 82C/83C/86C, JD 400D Series

DESCRIPTION

Provides all necessary knife segments and splice kits required to replace the complete knife on a header.

FEATURES/BENEFITS

» Convenient package for ease of transportation

KNIFE ASSEMBLY KITS - SINGLE KNIFE

DESCRIPTION	PART #			MACDON MODELS
	COARSE	FINE	ULTRA-COARSE	
20 FT, SK	-	335488	-	D50, D60, D65, D1
25 FT, SK	-	335489	335513	D50, D60, D65, D1, FD1
30 FT, SK	294795	335490	335514	D50, D60, FD70, D65, FD75, D1, D1XL, FD1
35 FT, SK	294796	335491	335515	
40 FT, SK	294797	335492	335516	

KNIFE ASSEMBLY KITS - DOUBLE KNIFE

DESCRIPTION	PART #			MACDON MODELS
	COARSE	FINE	ULTRA-COARSE	
20 FT, DK	-	335479	-	D50, D60, D65, D1
25 FT, DK	-	335483	335508	
30 FT, DK	294791	335484	335509	D50, D60, D65, D1, D1XL
35 FT, DK	294792	335485	335510	
40 FT, DK	294793	335486	335511	D50, D60, FD70, D65, FD75, D1, D1XL, FD1
45 FT, DK	294794	335487	335512	

Notes:

*Knife Heads not included ^Exclude FD2/D2 Series Draper Headers

Knife Splice/Repair Kit

FITS

All D and FD Series*, Case 2142/2152/2162, New Holland 82C/83C/86C, JD 400D Series

PART # 129043

DESCRIPTION

Splice kit to repair broken knife.

FEATURES/BENEFITS

- » Provide a quick repair for broken sickles
- » Durable connection, the same used for splicing segmented knives together

Notes:

*Exclude FD2/D2 Series Draper Headers



Knife Head

FITS

All D and FD Series*, Case 2142/2152/2162, New Holland 82C/83C/86C, JD 400D Series

PART # See Table

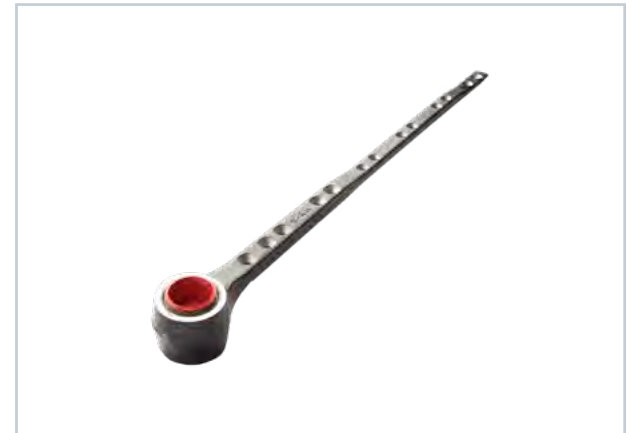
DESCRIPTION

Use this quick and easy guide for reference when replacing MacDon knife heads.

MACDON MODELS	CONFIGURATION	PART #
FD1, FD75, FD70	SK	1 x 132896
	DK	1 x 132896 (LH) 1 x 132897 (RH)
D50, D60, D65, D1	SK20/25	1 x 120832
	SK30/35	1 x 132896
	DK15/20/25 DK30>	1 x 132896 (LH) 1 x 132897 (RH)

Notes:

*Exclude FD2/D2 Series Draper Headers



Center Overlap Kit

FITS

All Double Knife Draper Headers*, Case 2142/2152/2162, New Holland 82C/83C/86C, JD 400D Series

PART # 279996 (Fine sickle sections), 279997 (Coarse sickle sections), or 335326 (Ultra Coarse sickle section)

DESCRIPTION

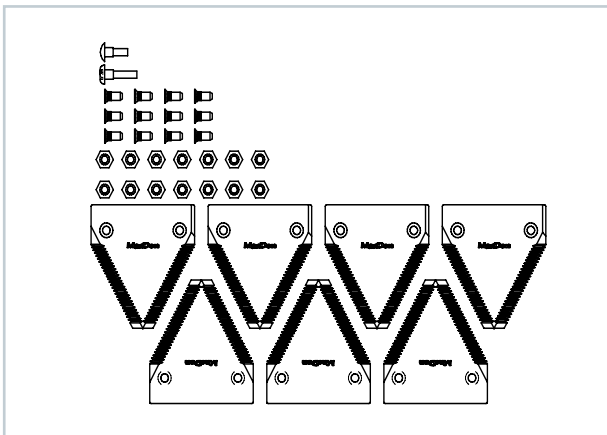
Contains all special countersunk sections and hardware for the center knife overlap on Double Knife Drive Headers.

FEATURES/BENEFITS

- » Eliminates left over sections from buying the larger 10 packs

Notes:

*Exclude FD2/D2 Series Draper Headers



Crop Lifters

FITS

All MacDon Draper Headers*, Case 2142/2152/2162, New Holland 82C/83C/86C, JD 400D Series

PART # 255929* **Installation hardware must be ordered separately.*

DESCRIPTION

Attach to the cutterbar and are designed to lift lodged crop.

FEATURES/BENEFITS

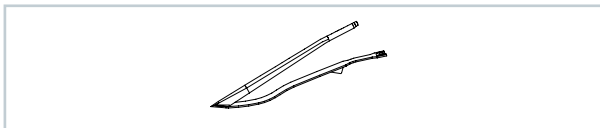
- » Designed specifically by MacDon for MacDon machines, offering a custom header fit providing optimal functionality through all tilt angles
- » Custom fit to MacDon guards to minimize movement during cutting and prevent loss of lifters
- » Curved contact point allows lifter to glide along the ground without digging or getting knocked off

PART #	DESCRIPTION	MACDON MODELS
255929	CROP LIFTER	D50, D60, D65, FD70, FD75, D1, FD1
279575	BOLT 2.5 INCH	-
21761	NUT	-
255930	WASHER	-
255927	COUPLING NUT 20MM	-
255928	COUPLING NUT 10MM	-

Notes:

*Select one suitable coupling nut option. Combines with tracks require Part #255927. Combines with standard tires require Part #255928.

*Exclude FD2/D2 Series Draper Headers



Crop Lifter Storage Rack

FITS

FD/D Series Headers*, Case 2162/2152/2142 headers, JD 400D Series

KIT # B6376 (FD75/D65/D1/FD1), B5408 (FD70/D50/D60, Case 2162/2152/2142)

DESCRIPTION

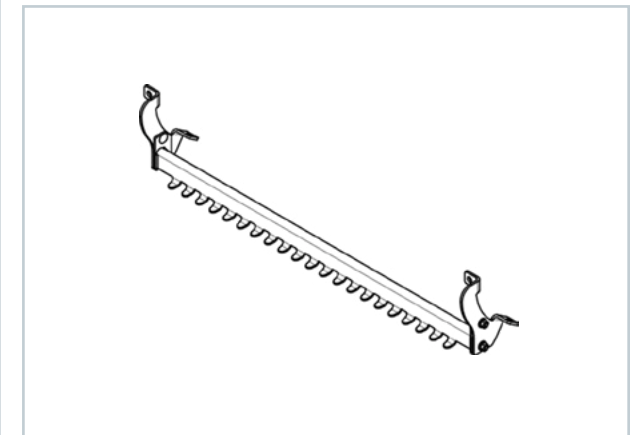
Storage rack which attaches to the back of the header. Bundle comes with two racks, one for each side.

FEATURES/BENEFITS

- » Convenient storage location for crop lifters while they are not in use
- » Easily installs on the header back tube

Notes:

*Exclude FD2/D2 Series Draper Headers



Guards

FITS

All MacDon Draper Headers*, Case 2142/2152/2162, New Holland 82C/83C/86C, JD 400D Series

PART # See Tables

DESCRIPTION

All MacDon guards are fully thru-hardened for toughness, then induction hardened in key high wear areas so they will keep their cutting edge longer. Single heat treated guards only recommended for use in conditions where guards break before they wear out.

FEATURES/BENEFITS

- » Cutting surface is induction hardened providing targeted hardening in high contact areas, resulting in a superior cutting performance
- » Critical dimensions ensure a perfect fit on your MacDon machine every time, allowing for minimal downtime and quick replacements
- » Tapered edge design allows for sickle sections to be replaced without removing guard

Notes:

*Exclude FD2/D2 Series Draper Headers

POINTED GUARDS

PART #	DESCRIPTION
118344	DOUBLE HEAT TREATED POINTED GUARD
118484	SINGLE HEAT TREATED POINTED GUARD
118301	LEFT HAND END GUARD
118302	RIGHT HAND END GUARD
118345	NO KNIFE LEDGERS (FOR DRIVE END)

STUB GUARDS

PART #	DESCRIPTION
34359	DOUBLE HEAT TREATED TOP STUB GUARD
118346	DOUBLE HEAT TREATED BOTTOM STUB GUARD
135586	SINGLE HEAT TREATED TOP STUB GUARD
135575	SINGLE HEAT TREATED BOTTOM STUB GUARD
118351	SHEET METAL TOP STUB GUARD

POINTED GUARD



STUB BOTTOM GUARD



SHEET METAL TOP



FORGED METAL TOP



Recommended Cutting Components Combinations



Pointed Guard Recommended

- » For rocky conditions
- » On ground applications



Stub Guard Recommended

- » For off ground application
- » Tough cutting conditions

Guard Kits

FITS

All D and FD Series*, Case 2142/2152/2162, New Holland 82C/83C/86C, JD 400D Series

PART # See Tables

DESCRIPTION

Kit includes all guards required to do a complete cutterbar replacement.

FEATURES/BENEFITS

» Convenient kits, ensure customers get all guards needed for a cutterbar rebuild.

GUARD KITS - SINGLE KNIFE

PART #	DESCRIPTION	MACDON MODELS
304990	KIT - POINTED GUARDS FOR 25 FOOT, SINGLE KNIFE	D60, D65, D1, FD1
304991	KIT - POINTED GUARDS FOR 30 FOOT, SINGLE KNIFE	D50, D60, D65, FD70, FD75, D1, FD1
304992	KIT - POINTED GUARDS FOR 35 FOOT, SINGLE KNIFE	-
304993	KIT - POINTED GUARDS FOR 40 FOOT, SINGLE KNIFE	-

GUARD KITS - DOUBLE KNIFE

PART #	DESCRIPTION	MACDON MODELS
304986	KIT - POINTED GUARDS FOR 30 FOOT, DOUBLE KNIFE	D50, D60, D65, FD70, FD75, D1, FD1
304987	KIT - POINTED GUARDS FOR 35 FOOT, DOUBLE KNIFE	-
304988	KIT - POINTED GUARDS FOR 40 FOOT, DOUBLE KNIFE	-
304989	KIT - POINTED GUARDS FOR 45 FOOT, DOUBLE KNIFE	-

Notes:

*Hardware sold separately. ^Exclude FD2/D2 Series Draper Headers

Know when to replace guards and sickle sections

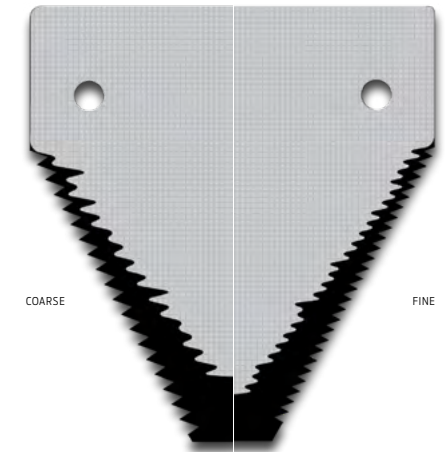


The guards and sickle sections of a MacDon header work together to cut crops and when worn, need to be replaced together to ensure optimal performance. Sickle sections are designed to wear back keeping their original shape, but wearing into a finer point that increases the distance between the two cutting surfaces. Sickle sections also develop wear grooves on top of the section from repeatedly dragging the crop between the section and the guard. Guards develop a round and smooth lower cutting edge, increasing the gap that the knife passes through. When this occurs they are ready to be replaced. Proper cutting component maintenance is critical for reliable and efficient header operation.

A clean cut promotes fast crop regrowth while a ragged cut slows regrowth. When your guards and sickle section cutting edges wear down, crop begins to pinch and rip, decreasing efficiency and increasing demand on horsepower.

Sickle section and guard replacement guide

Use these diagrams to assess the wear on your parts. Just place it on top of the diagram to determine if the part needs replacing.



Guards and Sections work together like the blades on a pair of scissors with hold downs acting as the bolt holding them together. It is important to change out both section and guard as they wear as they are both crucial cutting components.

Side Draper Belts

FITS

All D and FD Series*, Case 2142/2152/2162,
New Holland 82C/83C/86C, JD 400D Series

PART # See Table

DESCRIPTION

The only draper belts that come with exclusive double V-guide and cutterbar seal technology, for better tracking and minimal seed loss.

FEATURES/BENEFITS

- » Square and Taper cleat options available
- » Double V-Guide allows for fully reversible drapers, doubling draper life
- » Exclusive cutterbar seal prevents seed loss at leading edge of draper
- » Metal slat connectors provide increased durability and an optimal connection for longer lasting drapers
- » MacDon branded for authenticity

SIZE	TAPERED CLEAT	SQUARE CLEAT	D1 XL* (50" DEEP)
15 FT	220634	172192	-
20 FT	220635	-	-
25 FT	220636	-	-
30 FT	220637	172195	227750
35 FT	220638	172196	227751
40 FT	220639	172197	227752
45 FT	220640	172198	227753
150 FT BULK ROLL	220642	-	-

*Only Taper cleat option available

Notes:

*Exclude FD2/D2 Series Draper Headers



TAPER CLEAT SIDE DRAPER BELT



SQUARE CLEAT SIDE DRAPER BELT

Feed Draper Belt

FITS

All D and FD Series*, Case 2142/2152/2162,
New Holland 82C/83C/86C

PART # 304454

DESCRIPTION

Feed Draper Belt replaces 133131, 287896, 295934.

FEATURES/BENEFITS

- » Increased material thickness for improved durability
- » Improved tapered cleat design for increased life and durability

Notes:

*Exclude FD2/D2 Series Draper Headers



Old Feed Draper Cleat



New Feed Draper Cleat

Draper Clips

FITS

FD/D Series Headers*, Case 2162/2152/2142 headers, New Holland 82C/83C/86C, JD 400D Series

PART # 294858 (Taper cleat), 294859 (Square cleat)

DESCRIPTION

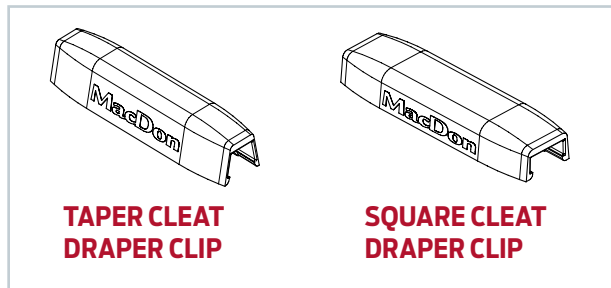
MacDon's patented Draper Clips are protective clips that are designed to extend the life of draper belts in abrasive or high wear conditions. Simply snap the Draper Clip into place over top the damaged draper cleat and tap with a mallet in order to ensure secure installation.

FEATURES/BENEFITS

- » Clips right on the cleats of your MacDon draper belt
- » Provides a hard, low friction covering at a fraction of the price of replacing the entire draper belt
- » Can extend the service life of the draper belt in abrasive or high wear conditions
- » Most beneficial in very hot/sandy conditions or where draper belts experience high loads, such as swathing heavy canola

Notes:

*Exclude FD2/D2 Series Draper Headers



Draper Repair Kit

FITS

All D and FD Series*, Case 2142/2152/2162, New Holland 82C/83C/86C

KIT # 220641, 253572 (D1 XL)

DESCRIPTION

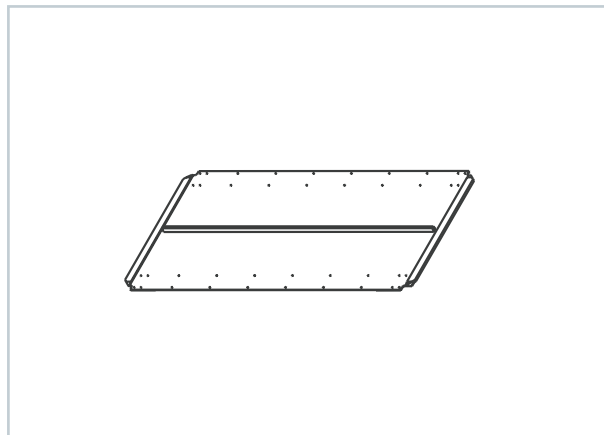
20 inch section of draper to fix damaged draper. Includes two sets of connector slats 132777.

FEATURES/BENEFITS

- » Low cost alternative to replacing entire draper
- » Simply cut out damaged section and splice in repair section with the included hardware

Notes:

*Exclude FD2/D2 Series Draper Headers



Draper Slat Connector Kit

FITS

All D and FD Series*, Case 2142/2152/2162, New Holland 82C/83C/86C, JD 400D Series

KIT # 132777, 253134 (D1 XL)

DESCRIPTION

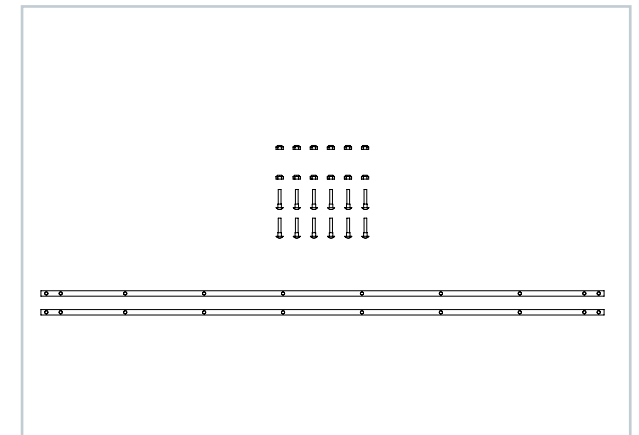
Replacement hardware kit for attaching side drapers together.

FEATURES/BENEFITS

- » High quality steel slats and hardware to ensure your drapers stay connected
- » Includes all necessary parts for connecting side drapers

Notes:

*Exclude FD2/D2 Series Draper Headers



Front Track Hinge Kit

FITS

FD75, FD70's & Case 2162

PART # 220196

DESCRIPTION

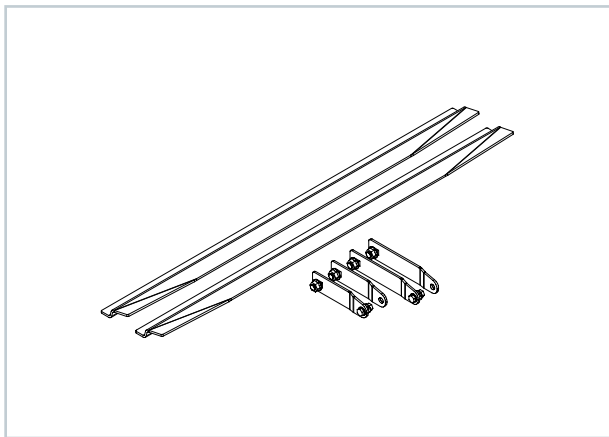
Kit adds a hinge to the draper deck of the header flex point.

FEATURES/BENEFITS

- » Improves durability of draper deck
- » Extends life of side drapers
- » Upgrades to latest FD75 specs

Notes:

**This kit contains enough pieces to do both sides. Some cutting and welding is required.*



In Cab Side Draper Speed Control

FITS

FD1/D1

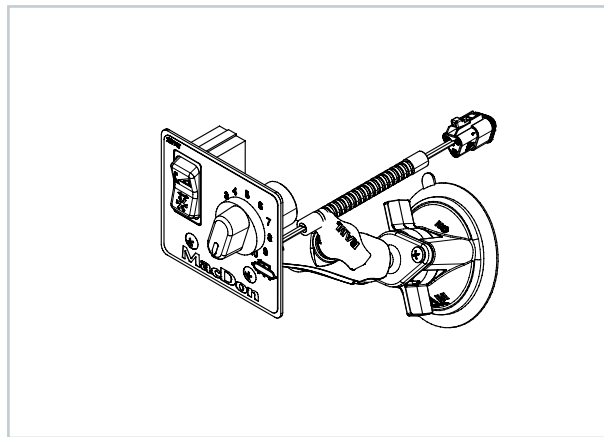
KIT # B6701 (John Deere), B6702 (CNH), B6703 (Generic)

DESCRIPTION

Optional kit to allow operators to adjust draper speed from the combine cab.

FEATURES/BENEFITS

- » In cab on the go adjustability of the side drapers
- » Allows user to optimize draper speeds based on condition
- » Allows for controlled feeding when dealing with a plugged feederhouse



Tungsten-Carbide Draper Drive Rollers*

FITS

All D and FD Series[^], Case 2142/2152/2162,
New Holland 82C/83C/86C, JD 400D Series

PART # 255410 (x2)

DESCRIPTION

Draper drive rollers with tungsten-carbide ribs.

FEATURES/BENEFITS

- » Eliminate side draper slipping in wet, oily conditions
- » Tungsten-Carbide ribs provide superior grip on drapers compared to rubber coated rollers

Notes:

**Come Standard on D65 headers 2015 model year and up.
^Exclude FD2/D2 Series Draper Headers*



Keep your MacDon at peak performance with MacDon Draper Header Service Kits

Order Draper Header Service Kits from MacDon for one convenient package containing high wear draper header replacement parts required for your machine.

Select from the options below to find your MacDon Draper Header Service Kit.



*Note: 279097 pictured above

DRAPER HEADER SERVICE KIT

FD75/D65/CA25

279097

- 129297 - Wearplates (5)
- 118344 - Guards (5)
- 174849 - Reel Fingers (10)
- 279641 - Coarse Section (25)
- 220938 - Finger Assemblies (5)
- 320360 - Hydraulic Filter Kit (1)
- 135626 - Section Nuts (50)
- 135632 - Long Section Screws (50)
- 135628 - Short Section Screws (50)

DRAPER HEADER SERVICE KIT

FD1/D1/FM100

335353

- 129297 - Wearplates (5)
- 118344 - Guards (4)
- 118345 - Guards (1)
- 279641 - Coarse Section (25)
- 337152 - Feed Auger Finger Kit (1)
- 320360 - Hydraulic Filter Kit (1)
- 120558 - Guard Bolts (10)
- 18654 - Guard Nuts (10)
- 52417 - Long Knife Head Bolts & Nuts (25)
- 52413 - Standard Section Bolts & Nuts (50)

COARSE SECTION SERVICE KIT

D65/D1 X/D1 XL

279100

- 129297 - Wearplates (5)
- 118344 - Guards (5)
- 174849 - Reel Fingers (10)
- 279641 - Coarse Section (25)
- 135626 - Section Nuts (50)
- 135632 - Long Section Screws (50)
- 135628 - Short Section Screws (50)

FINE SECTION SERVICE KIT

D65/D1 X/D1 XL

279099

- 129297 - Wearplates (5)
- 118344 - Guards (5)
- 174849 - Reel Fingers (10)
- 279642 - Fine Section (25)
- 135626 - Section Nuts (50)
- 135632 - Long Section Screws (50)
- 135628 - Short Section Screws (50)

Anti-Wrapping Kit

FITS

FD75 (double reel), FD70, D65 & Case 2162

KIT # See Tables

DESCRIPTION

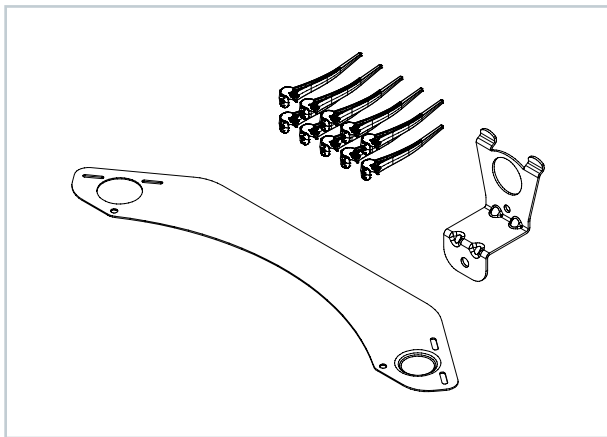
Reel end shields and plastic fingers for end of reel.

FEATURES/BENEFITS

- » Prevents canola and other green crop from getting caught in coils of steel fingers at center of double reel headers
- » Replaces steel coil fingers with plastic and adds reel end shields to improve feeding at center of double reel

Notes:

**Helpful in green canola but not recommended in soybeans.*



5 BAT CENTER

PART #	DESCRIPTION	QTY
174849	FINGER - PLASTIC - PACK OF 10	1
164958	SUPPORT - ENDSHIELD REEL	5
164754	ENDSHIELD - 5 BAT SEGMENTED 5 SERIES	5
135157	SCREW - MACHINE	5
30228	NUT - FLANGE DT SMOOTH FACE 0.375-16 UNC	5
105136	SCREW - MACHINE	5*
50186	NUT - FLANGE LOCK SM FACE DT 0.5-13 UNC GR5	5*
228497	SHIELD-5BAT LH REEL-CAM END	5
228572	SHIELD-5BAT RH REEL-TAIL END	5
273080	SUPPORT - BUSHING ENDSHIELD	5
105137	SCREW-MACHINE, TORX TRUSS HEAD, 3/8 IN, 0.5 IN LG, ZN PL	5
135450	SCREW - MACHINE	10

5 BAT END

PART #	DESCRIPTION	QTY
164754	ENDSHIELD - 5 BAT SEGMENTED	5
164958	SUPPORT - ENDSHIELD REEL	5
135157	SCREW - MACHINE	5
30228	NUT - FLANGE DT SMOOTH FACE 0.375-16UNC	5
105136	SCREW-MACHINE	5
50186	NUT - FLANGE LOCK SM FACE DT 0.500-13UNC GR5	5

6 BAT CENTER

PART #	DESCRIPTION	QTY
174849	FINGER - PLASTIC - PACK OF 10	1
164958	SUPPORT - ENDSHIELD REEL	6
164965	ENDSHIELD - 6 BAT SEGMENTED 5 SERIES	6
135157	SCREW - MACHINE	6
30228	NUT - FLANGE DT SMOOTH FACE 0.375-16 UNC	6
105136	SCREW - MACHINE	6*
50186	NUT - FLANGE LOCK SM FACE DT 0.5-13 UNC GR5	6*
228496	SHIELD-6BAT LH REEL-CAM END	6
228575	SHIELD-6BAT RH REEL-TAIL END	6
273080	SUPPORT - BUSHING ENDSHIELD	6
105137	SCREW-MACHINE, TORX TRUSS HEAD, 3/8 IN, 0.5 IN LG, ZN PL	6
135450	SCREW - MACHINE	12

6 BAT END

PART #	DESCRIPTION	QTY
164965	ENDSHIELD - 6 BAT SEGMENTED	6
164958	SUPPORT - ENDSHIELD REEL	6
135157	SCREW - MACHINE	6
30228	NUT - FLANGE DT SMOOTH FACE 0.375-16UNC	6
105136	SCREW-MACHINE	6
50186	NUT - FLANGE LOCK SM FACE DT 0.500-13UNC GR5	6

**Hardware is attached to the reel.*

Tine Tube Reinforcing Kit

FITS

All D and FD Series*, Case 2142/2152/2162, New Holland 82C, 83C, 86C, JD 400D Series

KIT # B5825 (5 Bat Reels), B5826 (6 Bat Reels)

DESCRIPTION

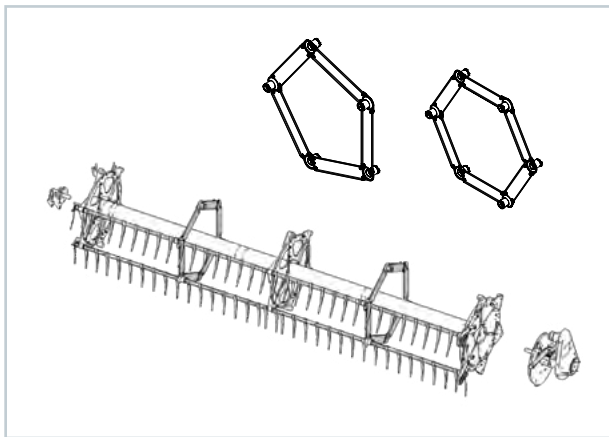
Optional kit to reinforce reel.

FEATURES/BENEFITS

- » Reinforce reel tine tubes for heavy crop load conditions
- » Prevents tine tube bending

Notes:

*Exclude FD2/D2 Series Draper Headers



Multi-Crop Rapid Reel Conversion Kit

FITS

FD1, D1, FD75, D65, JD 400D Series

KIT # B6590

DESCRIPTION

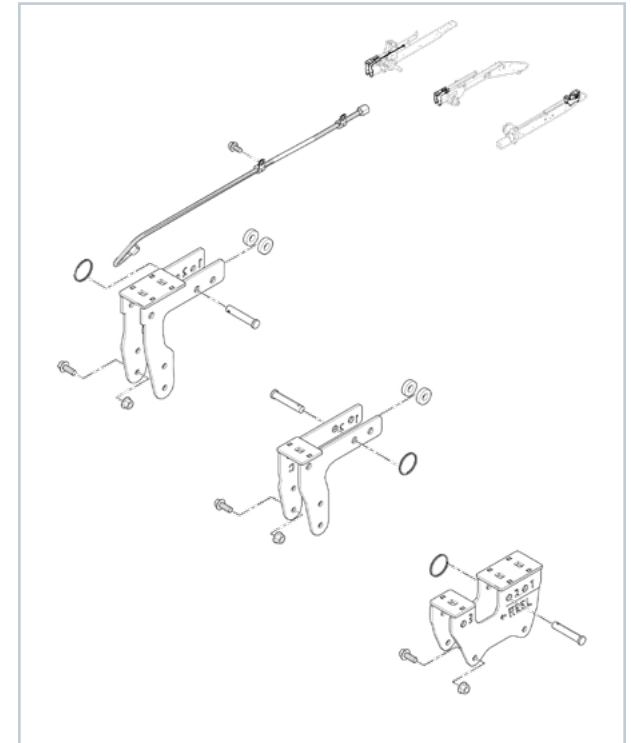
Allows for quick conversion of reel from factory position to rear canola position

FEATURES/BENEFITS

- » Ideal for users who often switch back and forth from cereal to canola

Notes:

*Also required Short Brace Kit B5605 (Double Reel), or B6401 (Single Reel).



Solid Feed Auger Fingers

FITS

FM100 (FD1)

KIT # 337152 (Single finger with 337143 guide)

DESCRIPTION

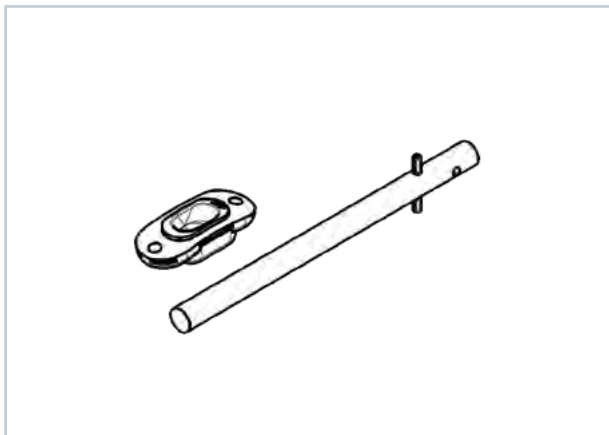
Replaces hollow finger 287802 in FM100 Feed Auger.

FEATURES/BENEFITS

- » Solid Feed Auger Fingers undergo a unique heat treatment process known as Austempering to provide a tougher, and more impact resistant structure, for maximum strength and wear characteristics!

Notes:

*Standard on 2021 model year headers.



Split Finger Holders

FITS

FM100, CA25, CA25E, CA20, Case 2162/2152/2142 headers

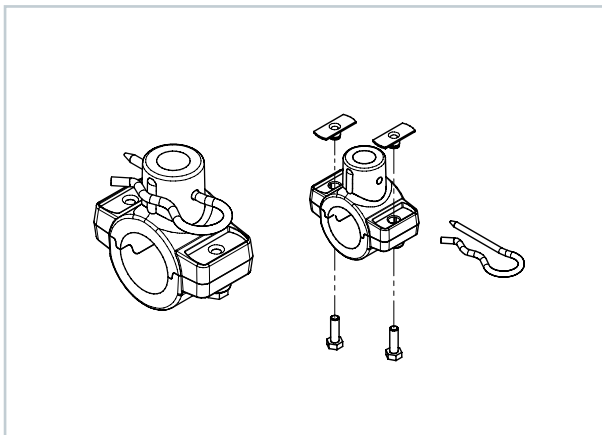
KIT # 274276 (CA25, CA20), 276839 (FM100, CA25E)

DESCRIPTION

A two-piece, bolt together feed auger finger holder (pack of 5).

FEATURES/BENEFITS

- » Allows for the quick replacement of damaged feed auger finger holders
- » Doesn't require removal of all drum fingers in order to slide over new holder
- » Doesn't require disassembly of drum if spare finger holders run out



Auger Dent Repair Kit

FITS

FM100, CA25, CA25E, CA20, Case 2142/2152/2162, New Holland 82C/83C/86C

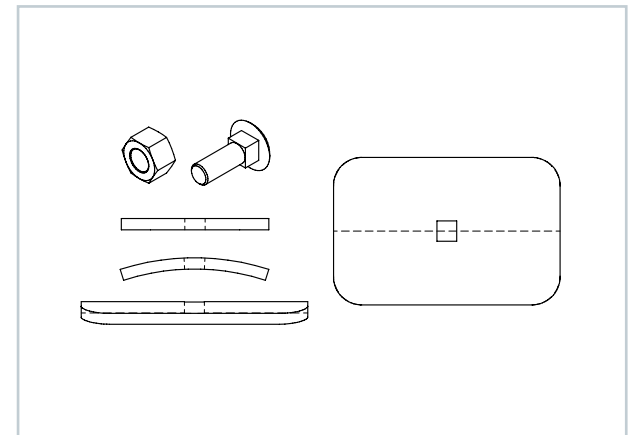
KIT # 237563

DESCRIPTION

Kit used to remove dents in the skin of the feed auger. Instructions included.

FEATURES/BENEFITS

- » Removes dents to auger tube in area of outer finger guides
- » Ensures augers finger holes line up with auger fingers



Feed Auger Finger Hole Repair Kit

FITS

FM100, CA25, CA20, 873, 872, Case 2142/2152/2162, New Holland 82C/83C/86C

KIT # 335464

DESCRIPTION

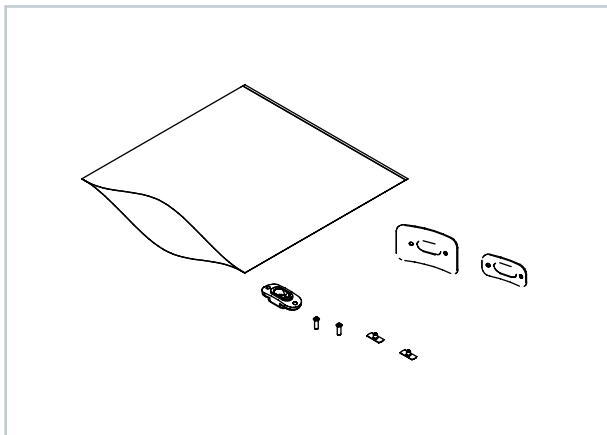
Kit makes repairs to finger guide area instead of replacing auger tube.

FEATURES/BENEFITS

- » Repairs damaged auger finger holes

Notes:

**Some welding is required.*



Seed Saver Kit

FITS

FD70, D60, D50, Case 2142/2152/2162, New Holland 82C/83C/86C

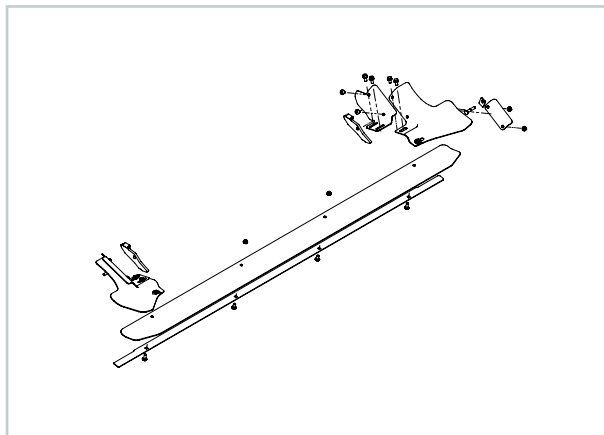
PART # 279028

DESCRIPTION

Contains corner and center sealing flaps with hardware to aid in sealing gaps between the adapter and header.

FEATURES/BENEFITS

- » Improved sealing means more of your seed is saved while still retaining the front rock sump
- » Upgrades to latest FD75 specs



Auger Flighting Replacement Kit

FITS

CA25, CA20, Case 2142/2152/2162, New Holland 82C/83C/86C

KIT # 294047

DESCRIPTION

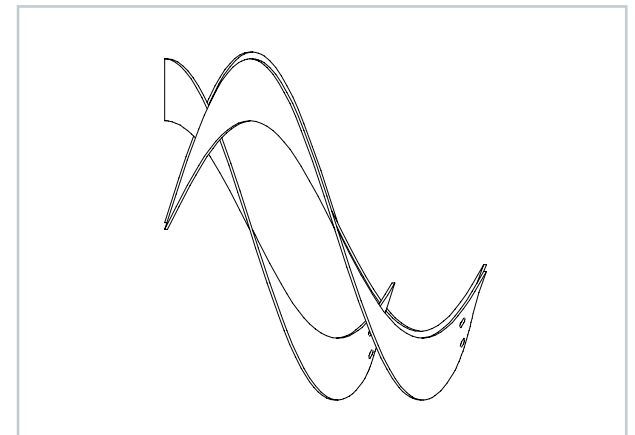
Replacement flighting for feed auger.

FEATURES/BENEFITS

- » Allows you to replace feed auger flighting which has worn down over time
- » Improved feeding into the combine

Notes:

**Some welding is required.*



FM100 Auger Flighting Replacement Kit

FITS

FM100

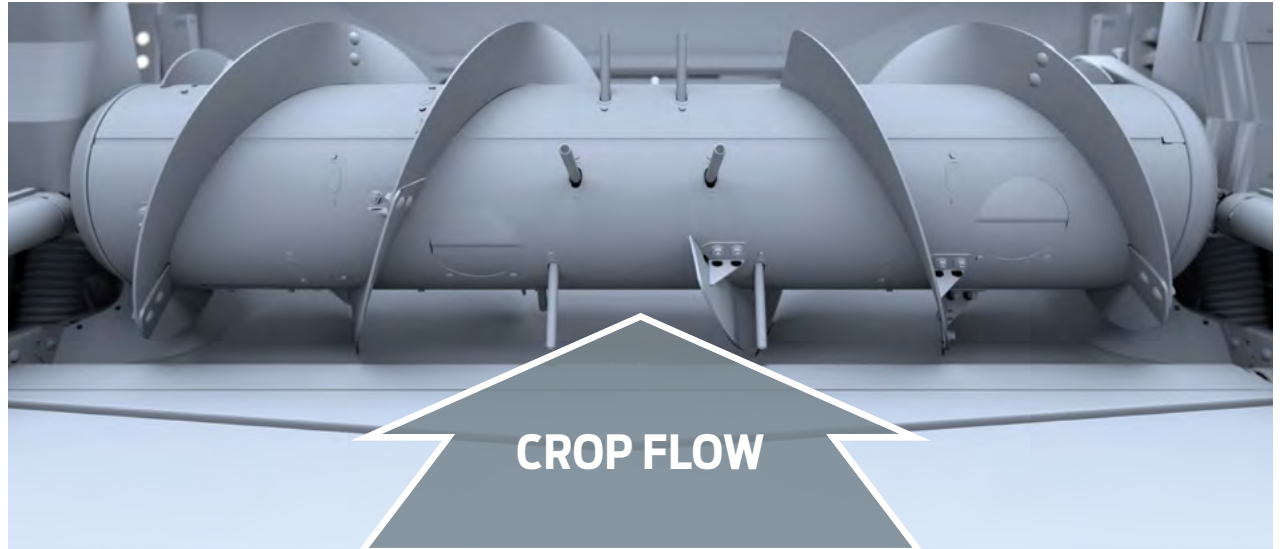
KIT # See Tables

DESCRIPTION

The FM100 bolt on flighting can be replaced as it wears down with the following parts.

FEATURES/BENEFITS

- » The bolt on flighting allows for easy replacement when worn down. No welding is required
- » The new flighting with a laser clad carbide tungsten edge, provides extended life even in the most abrasive conditions



FLIGHTING AND QUANTITY DEPENDS ON DRUM CONFIGURATIONS:

AUGER CONFIGURATION	287887	287888	287889	287890
Standard: Case, New Holland CR Wide, John Deere S-series, Lexion Narrow, Versatile	2	2	-	-
Wide: New Holland CX, John Deere T-series, Lexion Wide, Challenger, Massey	1	1	-	-
Narrow: New Holland CR Narrow, Gleaner	-	-	2	2

Cutterbar Poly

FITS

All D and FD Series*, Case 2142/2152/2162, New Holland 82C/83C/86C, JD 400D Series

PART # 129297

DESCRIPTION

Provides a durable and replaceable wear surface when cutting on the ground.

FEATURES/BENEFITS

- » Guaranteed fit to minimize replacement time
- » Made up of more durable, longer lasting UHMW polyethylene material that is field tested in the toughest real-world conditions
- » MacDon branded for authenticity

HEADER LENGTH	REQUIRED QUANTITIES (#129297)
30 FT	60
35 FT	70
40 FT	80
45 FT	90

Notes:

*Exclude FD2/D2 Series Draper Headers



Poly Skid Shoes

FITS

All D and FD Series*, Case 2142/2152/2162, New Holland 82C/83C/86C, JD 400D Series

PART # See Table

DESCRIPTION

Molded plastic skid shoe.

FEATURES/BENEFITS

- » Guaranteed fit to minimize replacement time
- » Allows cutting height adjustment when cutting on the ground
- » Designed to flex and shed mud in wet conditions

HEADER LENGTH	LEFT HAND	CENTER	RIGHT HAND	TRANSITION PAN
30FT & UNDER	165188	245396 x 2	165386	151551
35FT & OVER	165188	245396 x 4	165386	151551

Notes:

*Center Skid Shoes (part #245396) are a more durable poly design that replaces the steel backing style of older FD70 headers. Consult Parts Catalogue if no skid shoes are currently installed for additional required hardware.

^Exclude FD2/D2 Series Draper Headers



Steel Skid Shoes

FITS

FD/D Series Headers*, Case 2142/2152/2162, New Holland 82C/83C/86C, JD 400D Series

PART # 313875 (LH), 313873 (RH), 335608 (Inboard)

DESCRIPTION

Optional replacement for inboard and outboard poly skid shoes.

FEATURES/BENEFITS

- » Provides increased skid shoe life in abrasive soil conditions

Notes:

*Not recommended in hot dry conditions where fire hazards are present!

^Exclude FD2/D2 Series Draper Headers



Front Link Upgrade Kit

FITS

2011 & Prior FD70, Case 2162, New Holland 86C

KIT # 123719

DESCRIPTION

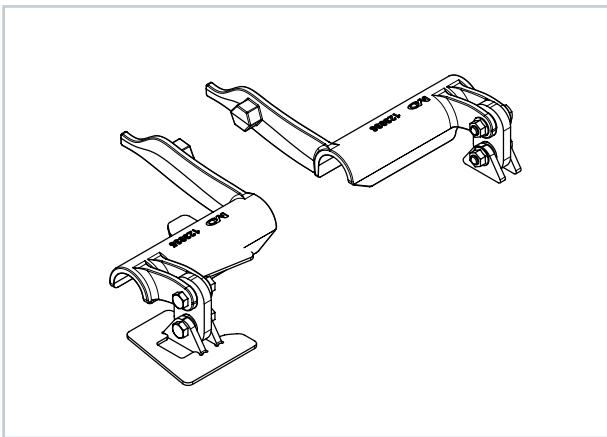
Replaces chain link with solid link and ball joint connections.

FEATURES/BENEFITS

- » A more secure connection between the adapter and the header
- » Greatly reduces the chances of feed deck damage
- » Upgrades to latest FD75 specs

Notes:

**Some welding is required.*



Compression Link Upgrade Kit

FITS

All FD70's, Case 2162, New Holland 86C

PART # 245810

DESCRIPTION

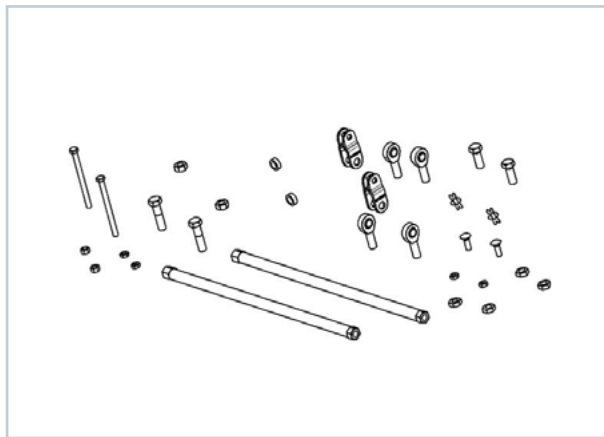
Can be used to replace the compression link bushing system on FD70 FlexDraper Headers with a ball joint system.

FEATURES/BENEFITS

- » Improves wing performance and durability
- » Replaces bushing system with a ball joint system
- » Upgrades to latest FD75 specs

Notes:

**This kit contains enough pieces to do both sides.*



Fill Tube Extension Kit

FITS

All D and FD Series, Case 2142/2152/2162, New Holland 82C, 83C, 86C

PART # 312824

DESCRIPTION

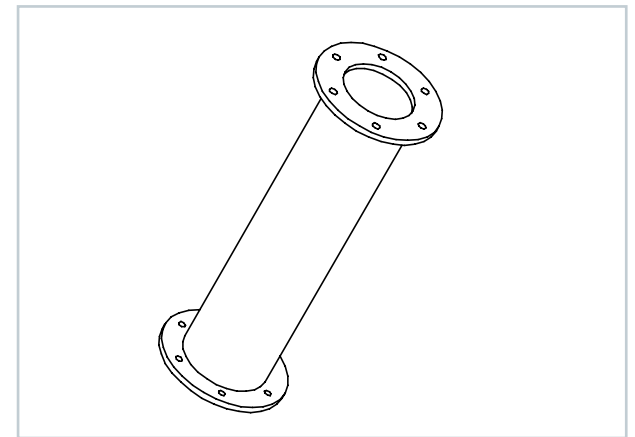
Hydraulic reservoir filler extension kit.

FEATURES/BENEFITS

- » Allows reservoir to be fully filled for working in extreme hills
- » Prevents pump cavitation at extreme angles
- » Recommended when header is used on a combine equipped with leveling system (Hilco, etc.)

Notes:

**Comes with gaskets and hardware, not serviced separately. Kit available through whole goods only.*



Aluminum Gearbox Upgrade

FITS

CA20 prior to 2012, Case 2162/2152 prior to 2012

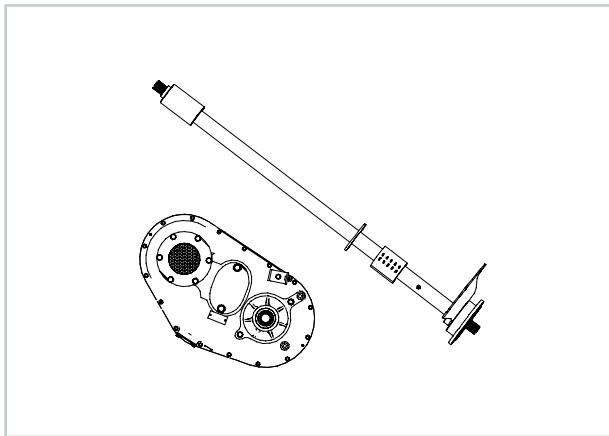
KIT # 279831 (Case/JD) or 294008 (Lexion/AGCO)

DESCRIPTION

Aluminum gearbox and input shaft.

FEATURES/BENEFITS

- » Updates adapter gearbox to CA25 design
- » Increased reliability and durability with fully aluminum design



Foot Switch

FITS

FM100/CA25

PART # 287537

DESCRIPTION

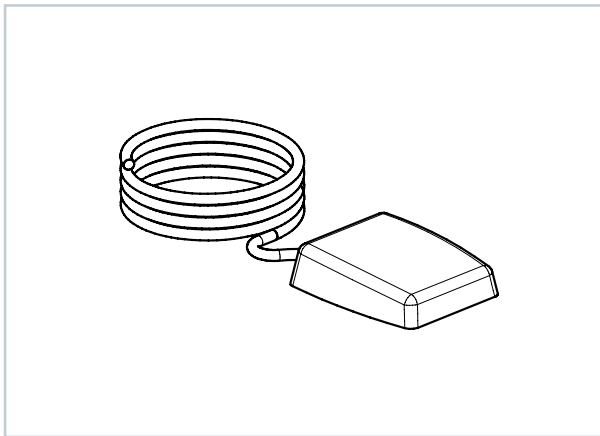
This footswitch is used to switch between reel fore-aft/header tilt and can be used as an alternative to the switch on the console.

FEATURES/BENEFITS

- » Allows user to toggle between fore-aft and header tilt with your foot, leaving two hands available for other combine controls

Notes:

**Available for AGCO and John Deere combines only.*



Dual Sensor AHHC Kit

FITS

FD1/D1 (FM100)

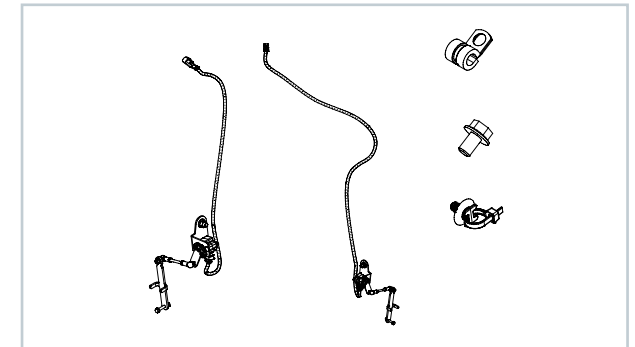
KIT # 248783

DESCRIPTION

Allows for lateral tilt to work with automatic header height control

FEATURES/BENEFITS

- » Provides optimum header tracking to aid floating in all field conditions



Paint

PART NUMBER	DESCRIPTION
23950	PAINT - AEROSOL, RED II
23956	PAINT - LITER, RED C
25991	PAINT - LITER, BLACK W/C
135148	PAINT - AEROSOL, BLACK W/C
32879	PAINT - AEROSOL, WHITE
32880	PAINT - LITER, RED II

MacDon *Performance Parts*



Take FlexDraper® performance over the top!

MacDon FD Series FlexDraper® Headers are designed to contour to the ground on rolling terrain for a close even cut. However, when cutting off the ground, the FlexDraper frame is locked into rigid mode. This setting limits the FlexDraper's ability to contour over rolling terrain. The ContourBuddy™ System solves that by allowing FlexDrapers to be used in Flex mode while cutting off the ground.

The ContourBuddy™ is a simple mechanical system that uses strategically placed wheels under the FlexDraper. This design takes full advantage of the FlexDraper's Flex/Float system while cutting off the ground. Using the ContourBuddy™ sets you up for next year's seeding with a consistently even stubble height.



CONTOURBUDDY™ FEATURES & BENEFITS

- Full flex and AHH cutting off the ground
- Reduced operator input
- Consistent stubble height
- Reduce digging/picking stones
- Eliminates need for gauge wheels (up to 10" stubble height)

CONTOURBUDDY™ COMPATIBILITY

MacDon FD70 FlexDraper®	✓
MacDon FD75 FlexDraper®	✓
MacDon Series FDI FlexDraper®	✓
CASE IH 2162	✓
New Holland 86C	✓

ContourBuddy™

FITS

FD70, FD75, FDI, Case 2162

PART # 284819

DESCRIPTION

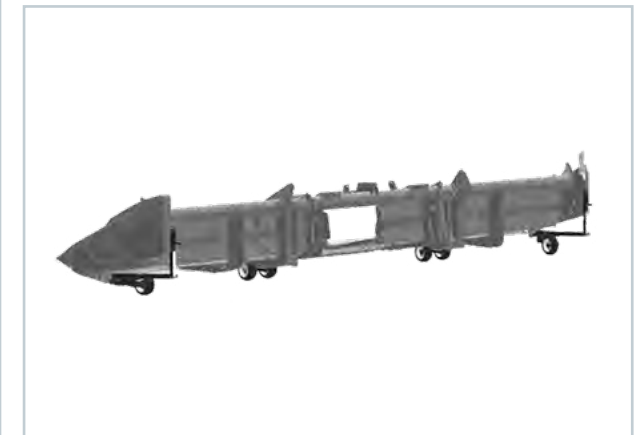
Mechanical system that uses strategically placed wheels under the MacDon Flexdraper.

FEATURES/BENEFITS

- » This design takes full advantage of the Flexdraper's Flex/Float system while cutting off the ground. Using the ContourBuddy™ sets you up for next year's seeding with a consistently even stubble height.

Notes:

**Outer skid shoe mounting brackets are required for installation (sold separately)*



MacDon *Performance Parts*



Windrowers

Cab Shock Kit

FITS

M205, M155 E4, M155 – 2014 & prior

KIT # 166826

DESCRIPTION

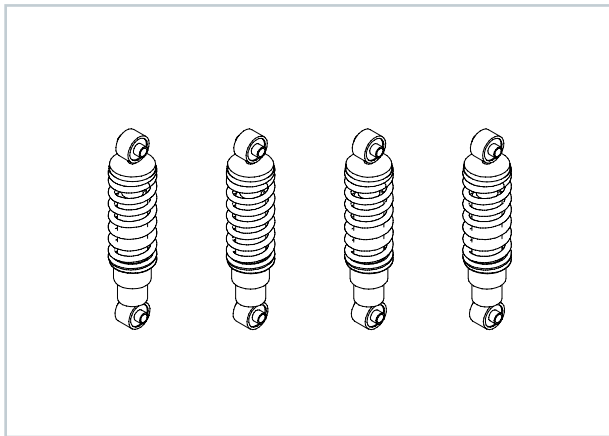
Kit used to update cab shocks used on older machine models.

FEATURES/BENEFITS

- » More consistent cab ride
- » Increased cab dampener life

Notes:

**Kit contains 4 dampening shocks (166827) to do a complete replacement of old style.*



Walking Beam Poly Bushing

FITS

M205, M200, M155, M155 E4, M150, M105, M100 – 2014 & prior

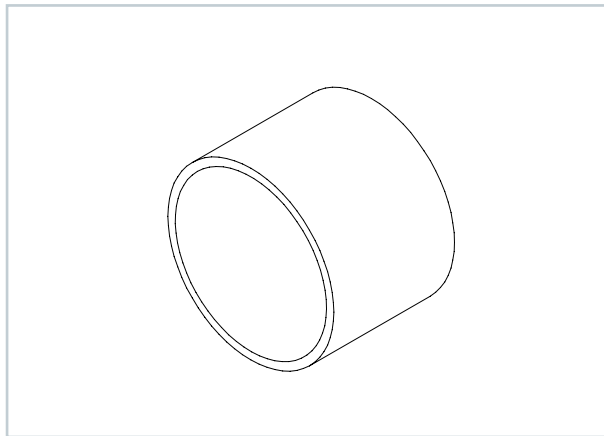
PART # 161226 (x2)

DESCRIPTION

Replaces older steel bushing with a poly blend bushing.

FEATURES/BENEFITS

- » Increased bushing life
- » Can function with or without grease



Unions to replace Flat Face Couplers

FITS

M205

PART # 166844

DESCRIPTION

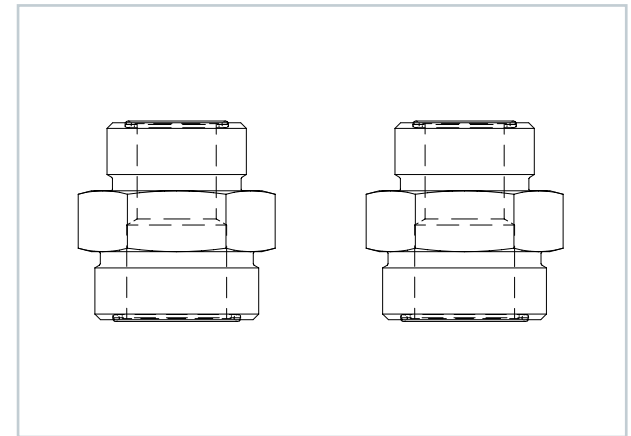
Unions for rotary header hoses.

FEATURES/BENEFITS

- » Decreases friction caused during high oil flow to and from the header
- » Lowers the possibility of leaking and contamination occurring

Notes:

**Use to connect to R85 only.*



MacDon *Performance Parts*



Keep your MacDon at peak performance with MacDon Annual Filter Kits

Order Annual Filter Kits from MacDon for one convenient package containing all annual maintenance filters required for your machine.*

Select from the options below to find your MacDon Annual Filter Kit!



M105/M155 FILTER KIT

167724

- 166312 - Fuel Filter
- 111972 - Fuel Filter
- 111954 - Air Filter
- 111974 - Oil Filter
- 111608 - Fuel Strainer
- 320360 - Hydraulic Filter Kit
- 112419 - Hydraulic Filter

M155 E4 FILTER KIT

167726

- 205029 - Fuel Filter
- 205028 - Fuel Filter
- 203621 - Air Filter
- 111974 - Oil Filter
- 111608 - Fuel Strainer
- 320360 - Hydraulic Filter Kit
- 112419 - Hydraulic Filter

M205 FILTER KIT

167725

- 166312 - Fuel Filter
- 111972 - Fuel Filter
- 138685 - Air Filter
- 111974 - Oil Filter
- 111608 - Fuel Strainer
- 112419 - Element Filter (2)

M1170 FILTER KIT

208961

- 111954 - Air Filter
- 111955 - Air Filter
- 320360 - Hydraulic Filter Kit
- 201713 - Hydraulic Filter
- 205029 - Fuel Filter
- 205028 - Fuel Filter
- 111974 - Oil Filter

M1240 FILTER KIT

208960

- 138685 - Air Filter
- 139077 - Air Filter
- 320360 - Hydraulic Filter Kit
- 201713 - Hydraulic Filter
- 205029 - Fuel Filter
- 205028 - Fuel Filter
- 111974 - Oil Filter

*Refer to your operators manual for recommended scheduled maintenance intervals.

MacDon *Performance Parts*



Rotary Headers

Rotary Blades

FITS

R1/R2 Series Rotary Disc Mower, R Series Rotary Disc Mower

PART # See Tables

DESCRIPTION

View tables for Rotary blade options.

FEATURES/BENEFITS

- » 18 degree blade - provides cleaner cut especially in lighter crops such as fine grass and alfalfa
- » 11 degree blade - provides better durability in rocky conditions while maintaining a good cut quality in heavier crops

Notes:

**Please note that 'Quick Change' blades are compatible on all R1 Series Rotary Disc machines, however the 'Quick Change' feature on R1/R2 Series Rotary Disc Mower are only available on model year 2019 and later.*

R1 AND R2 SERIES ROTARY DISC MOWER

11 DEGREE BLADES (BEVEL DOWN) 6-PACK QUICK CHANGE	
CLOCKWISE	281822
COUNTERCLOCKWISE	281821
18 DEGREE BLADES (BEVEL DOWN) 6-PACK QUICK CHANGE	
CLOCKWISE	259199
COUNTERCLOCKWISE	259200

R80 AND R85 SERIES ROTARY DISC MOWER

11 DEGREE BLADES (BEVEL UP) 6-PACK	
CLOCKWISE	268205
COUNTERCLOCKWISE	268207
18 DEGREE BLADES (BEVEL DOWN) 6-PACK	
CLOCKWISE	268204
COUNTERCLOCKWISE	268206



Rotary Quick Change Blade Kit

FITS

R113 and R116 Pull Type Rotary Headers

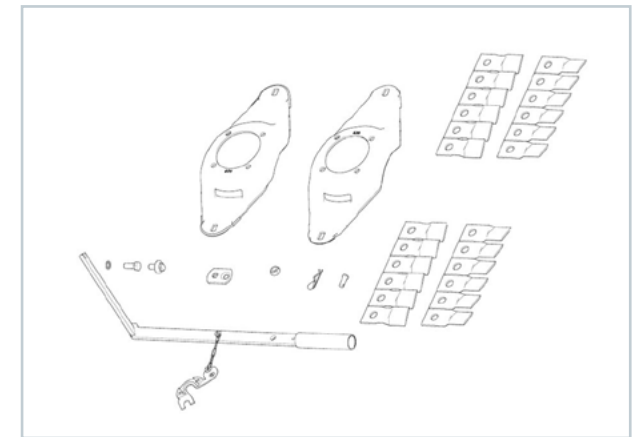
PART # 257136 (R113), 257135 (R116)

DESCRIPTION

Kit comes with all necessary parts and instructions for installation. Installation time for this kit is approximately 3.5 hours depending if you have an 8 or 10-disc mower.

FEATURES/BENEFITS

- » Easily change out blades with the Quick Change Blade Tool



R1 Blade Lowering Kit

FITS

R1 Series (2016 & 2017)

KIT # 257123

DESCRIPTION

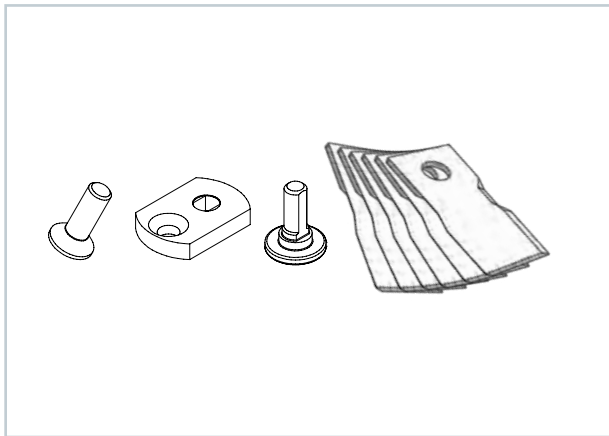
Replaces 5mm spacers with 10mm spacers to get blades closer to the ground. Can be used on all R1 cutterbars (not specific to Pull Type).

FEATURES/BENEFITS

- » Allows header angle to be flatter when cutting close to the ground
- » Flatter blade angle provides improved cut quality

Notes:

**For maximum benefit the small drum kit should be used in conjunction with the Blade lowering kit on R116 Pull Type models.*



R116 Small Drum Kit

FITS

R1 Series Pull Type (2016 & 2017)

KIT # 259140

DESCRIPTION

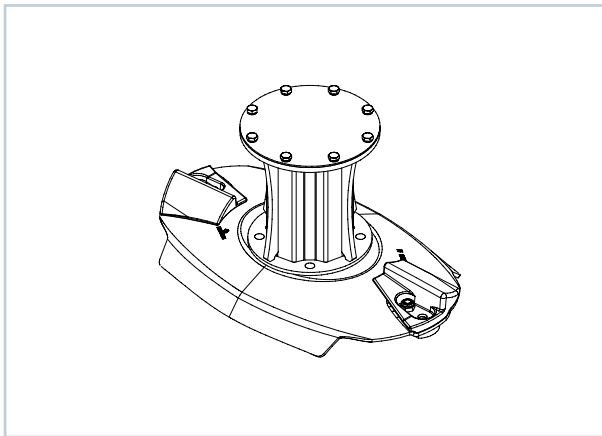
Replaces existing (large) diameter drums with small diameter drums.

FEATURES/BENEFITS

- » Smaller diameter drum improves crop flow across the cutterbar
- » Provides for a more even cut across the width of the header

Notes:

**For maximum benefit the small drum should be used in conjunction with the Blade lowering kit and 18° blades.*



R85 Auger Chrome Replacement Flighting

FITS

R85 (16ft SP)

KIT # 194942 (LH), 194943 (RH)

DESCRIPTION

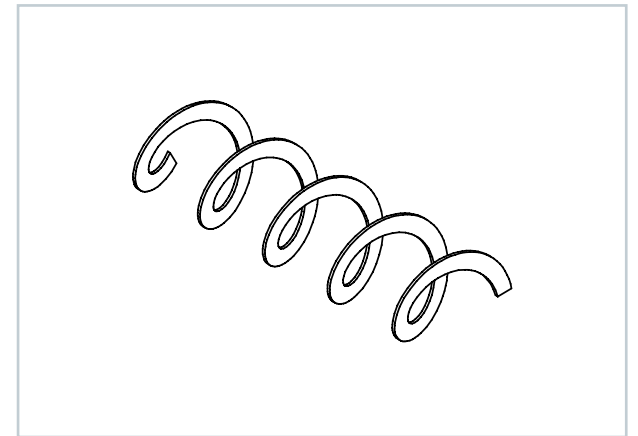
Replaces worn down auger flighting with newer, more durable chrome auger flighting.

FEATURES/BENEFITS

- » Cost effective repair to outer flighting areas on feed auger
- » Restores auger performance to original specification

Notes:

**This only replaces outer flighting. Some welding is required.*



Chrome Auger Kit (16ft)

FITS

R85 (16ft - model year 2013 & prior)

KIT # 236930

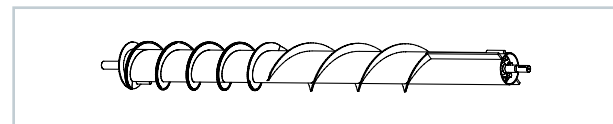
DESCRIPTION

New auger design improves crop feeding throughout the header, as well as increased auger life span.

FEATURES/BENEFITS

- » Revised feed auger design features universal joint at center support and wear-resistant pitch flights
- » More consistent crop flow throughout the header

PART #	DESCRIPTION	QTY	REPLACES PART #
236972	AUGER CW SHAFT BAL-LH 16'-22/7 FLIGHT	1	194920
236974	AUGER CW SHAFT BAL-RH 16'-22/7 FLIGHT	1	194921
235310	SHIELD - AUGER - CENTER	2	
268332	PLATE - MACHINED	1	
150438	BEARING - BALL SPHOD CW LC (1 3/8 IN. BORE)	1	
236975	UNIVERSAL JOINT	1	
169857	KIT INSTALLATION INSTRUCTION	1	
1113	KEY	1	
21567	BOLT-HEX HD .375-16UNC X 0.75 LG	4	
105136	SCREW - MACHINE	8	
50186	NUT - FLANGE LOCK SM FACE DT 0.500-13UNC GR5	8	
30441	WASHER - HARDENED	2	
30861	BOLT - HH 5/8 NF X 2.0 LG GR 8 ZP	2	
136792	NUT - HEX SMTH FLG 5/8-18-GR8-ZP	2	



Keep your MacDon at peak performance with MacDon Rotary Disc Service Kits

Order Rotary Disc Service Kits from MacDon for one convenient package containing high wear rotary disc replacement parts required for your machine.*

Select from the options below to find your MacDon Rotary Disc Service Kit.



ROTARY DISC SERVICE KIT

R1/R2 SERIES

259053

- 259200 - 18° Counterclockwise Rotary Blade, 6 Pack (4)
- 259199 - 18° Clockwise Rotary Blade, 6 Pack (4)
- 238227 - Hardware Guard (4)
- 246300 - Blade Nut (20)
- 281604 - Blade Bolt (20)
- 281605 - Accelerator Bolt (10)
- 246303 - Accelerator Nut (10)
- 246295 - Spindle Shear Key (2)

ROTARY DISC SERVICE KIT

R80/R85 SERIES

268323

- 268206 - 18° Counterclockwise Rotary Blade, 6 Pack (4)
- 268204 - 18° Clockwise Rotary Blade, 6 Pack (4)
- 221530 - Hardware Guard (4)
- 148645 - Blade Nut (30)
- 148644 - Blade Bolt (20)
- 148800 - Accelerator Bolt (10)
- 198280 - Spindle Shear Pin (1)

*Refer to your operators manual for recommended scheduled maintenance intervals.

MacDon *Performance Parts*



Pick-up Headers

Split Finger Holders

FITS

PW8

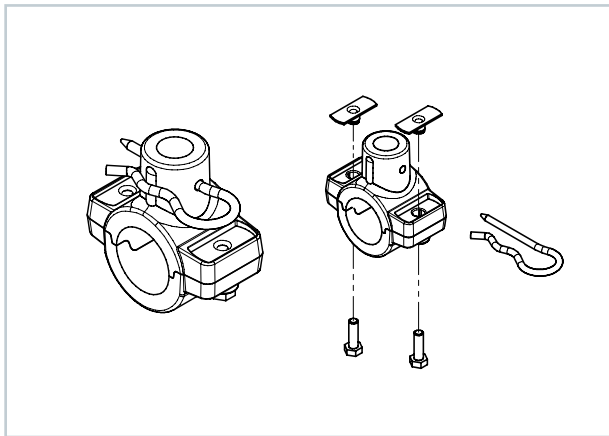
PART # 276839

DESCRIPTION

A two-piece, bolt together feed auger finger holder (pack of 5).

FEATURES/BENEFITS

- » Allows for the quick replacement of damaged feed auger finger holders
- » Doesn't require removal of all drum fingers in order to slide over new holder
- » Doesn't require disassembly of drum if spare finger holders run out



Auger Dent Repair Kit

FITS

PW8

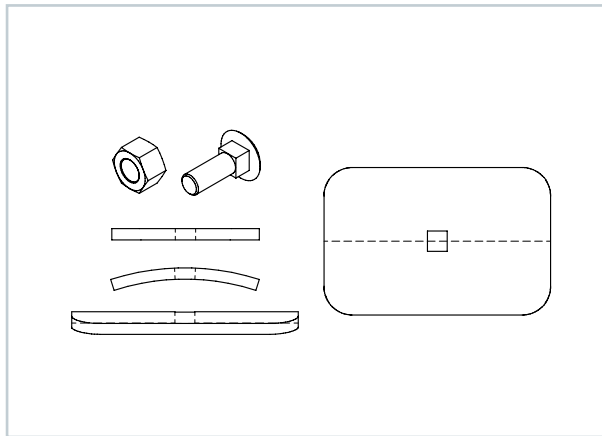
KIT # 237563

DESCRIPTION

Kit allows repairs to be made to auger near the finger holes.

FEATURES/BENEFITS

- » Removes dents to auger tube in area of outer finger guides



Pick-up Header Draper Belts

FITS

PW8/PW7

PART # See Tables

DESCRIPTION

Draper belt options for PW8/PW7 machines.

FEATURES/BENEFITS

- » Includes installed plastic pickup fingers (181047)

PW8

FRONT (WITH TEETH)		REAR	
197511 X 3	197510 X1 (RH SIDE)	197239 X 3	197129 X1 (RH SIDE)

PW7 SWATHMASTER

SIZE	FRONT (WITH TEETH)	REAR
14'	181460 X 8	184215 X 8
16'	181460 X 9	184215 X 9



MacDon *Performance Parts*



Auger Headers

Reel Tine Hardware

FITS

A40D, A40D GS 2015 & prior

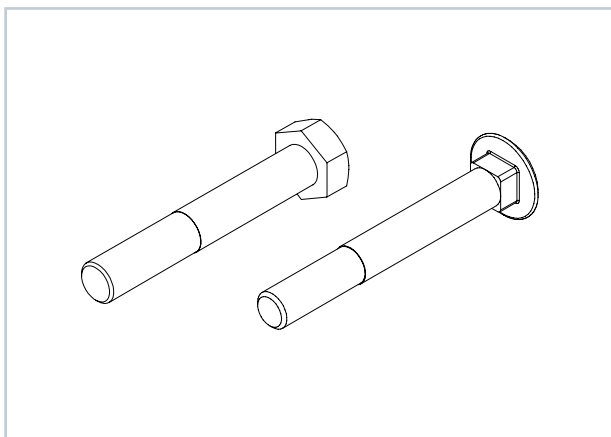
PART # 6 Bat - 170622 (x18), 136348 (x9), 21569 (x9)
7 Bat - 170622 (x21), 136348 (x11), 21569 (x10)

DESCRIPTION

Used to update reel tine bolts with stronger, updated bolts.

FEATURES/BENEFITS

- » Increased strength of reel tine tube bolts
- » Increased life of reel tine tube bolts



Swath Baffle Adjuster Brace Kit

FITS

A Series Header

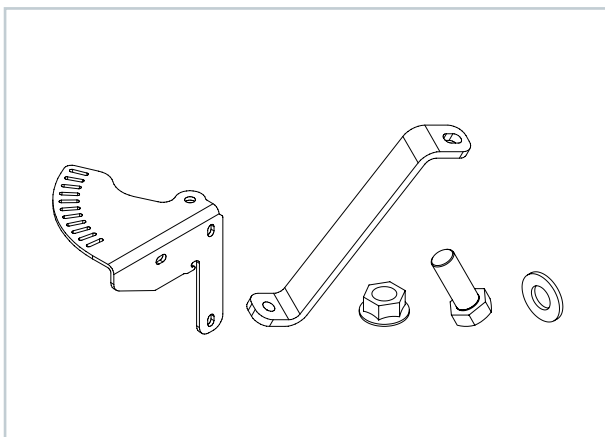
KIT # 170585

DESCRIPTION

New adjuster bracket for A-series auger header baffle.

FEATURES/BENEFITS

- » Stronger and more reliable baffle adjuster bracket



Auger Edge Flighting Repair Kit

FITS

A40 Header

KIT # 170436

DESCRIPTION

Used to repair worn auger flighting.

FEATURES/BENEFITS

- » Increased auger life
- » More consistent crop feeding throughout header

Notes:

**Some welding is required.*

Full Flighting Repair Kit

FITS

A Series Header

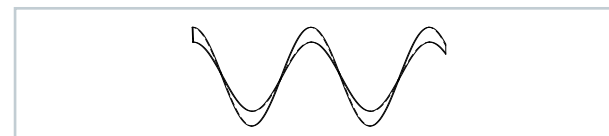
KIT # 143147 (LH), 143142 (RH)

DESCRIPTION

Used to fully replace worn auger flighting.

FEATURES/BENEFITS

- » Increased auger life
- » More consistent crop feeding throughout header



Notes:

**Some welding is required.*

MacDon *Performance Parts*



Corn Headers

C-Series Corn Header Parts

POLY - HARVESTEC 6000/C-SERIES

PART	20"	22"	30"	38"
CENTER SNOUT	1.379.500	1.379.502	1.377.380	1.373.506
CENTER REAR DIVIDER	1.379.501	1.379.503	1.377.534	1.373.507
OUTER SNOUT LH	1.376.093	1.376.093	1.376.093	1.376.093
OUTER SNOUT RH	1.376.094	1.376.094	1.376.094	1.376.094
OUTER DIVIDER LH	1.376.095	1.376.095	1.376.095	1.376.095
OUTER DIVIDER RH	1.376.096	1.376.096	1.376.096	1.376.096
EAR SAVER	-	-	1.373.153	-

POLY - HARVESTEC 4000/5000 SERIES

PART	20"	22"	30"
CENTER SNOUT	1.353.517	1.353.035	1.322.341
CENTER REAR DIVIDER	1.353.516	1.353.034	1.351.639
OUTER SNOUT LH	1.325.908	1.325.908	1.325.908
OUTER SNOUT RH	1.325.909	1.325.909	1.325.909
OUTER DIVIDER LH/RH	1.322.335	1.322.335	1.322.335

GATHERING CHAINS/SPROCKETS

PART	HARVESTEC 6000/C-SERIES	HARVESTEC 4000/5000 SERIES
CHAIN INSTALLATION TOOL	2.405.227	-
IDLER SPROCKET	1.379.081	1.354.261
DRIVE SPROCKET	1.377.722	1.356.377
GATHERING CHAIN, 30MM	1.326.221	1.352.767

COLOR SUFFIXES

- Blank = White
- .1=CIH Red
- .2=NH Yellow
- .3=JD Green
- .7=Massey Red
- .8=Claas Yellow
- .10=MacDon Gray



Notes:

*Colored poly only available for 6000/C-Series, previous generations only available in White.

STALK ROLL - HARVESTEC 6000/C-SERIES

PART DESCRIPTION	PART NUMBER
STALK ROLL KNIFE	1.377.250
LH ROLL SUB-ASSY	1.379.779
RH ROLL SUB-ASSY	1.379.780
LH ROLL FLUTE	1.378.440
RH ROLL FLUTE	1.378.441

STALK ROLL - HARVESTEC 5000 SERIES

PART DESCRIPTION	PART NUMBER
KNIFE (8 USED PER ROW)	1.356.304
LH KNIFE ROLL ASSY	1.356.301
RH KNIFE ROLL ASSY	1.356.302

STALK ROLL - HARVESTEC 4000 SERIES

PART DESCRIPTION	PART NUMBER
LH KNIFE RIB 2003 & PRIOR	1.308.682
CTR KNIFE RIB 2003 & PRIOR	1.308.680
RH KNIFE RIB 2003 & PRIOR	1.308.681
LH KNIFE RIB 2004 & AFTER	1.353.155
CTR KNIFE RIB 2004 & AFTER	1.353.153
RH KNIFE RIB 2004 & AFTER	1.353.154
LH KNIFE ROLL ASSY 2003 & PRIOR	1.308.649
RH KNIFE ROLL ASSY 2003 & PRIOR	1.308.648
LH KNIFE ROLL ASSY 2004 & AFTER	1.353.164
RH KNIFE ROLL ASSY 2004 & AFTER	1.353.163

Packaged Parts Reference Chart

PART GROUP	DESCRIPTION	5-PACK	6-PACK	10-PACK	25-PACK	50-PACK	1000-PACK
R80/85 BLADES	BLADE - CW, 11° BEVEL UP		268205				
	BLADE - CCW, 11° BEVEL UP		268207				
	BLADE - CW, 18° BEVEL DOWN		268204				
	BLADE - CCW, 18° BEVEL DOWN		268206				
R1/R2 BLADES	BLADE - CW 11° BEVEL DN		281822				
	BLADE - CCW 11° BEVEL DN		281821				
	BLADE-CW 18° BEVEL DN		259199				
	BLADE-CCW 18° BEVEL DN		259200				
REEL FINGERS	942 / 2000 PICK UP REEL			105349			
	942 / 2000 PICK UP REEL			105351			
	972 / 973 / 974 PLASTIC END FINGER			105353			
	D50 / D60 / FD70 / D65 / FD75 / FD1 - PLASTIC FINGER			174849			
SICKLE SECTIONS	SICKLE REINFORCEMENT BAR				174857		
	SECTION -STD, 4 SPI (AUSTEMPERED)				294947		
	SECTION - STD, 9 SPI (AUSTEMPERED)				279641		
	SECTION - STD, 9 SPI (BUSATIS)				174845		
	SECTION - TOP, 9 SPI CS/EC (AUSTEMPERED)			294102			
	SECTION - TOP, 9 SPI CS CFR (AUSTEMPERED)			279314			
	SECTION - TOP, 9 SPI CS CFR (BUSATIS)			279999			
	SECTION - BTM, 9 SPI CS (AUSTEMPERED)			279310			
	SECTION - BTM, 9 SPI CS (BUSATIS)			279851			
	SECTION - STD, 14 SPI (AUSTEMPERED)				279642		
	SECTION - STD, 14 SPI (BUSATIS)				118491		
	SECTION - TOP, 14 SPI CS (AUSTEMPERED)			294100			
	SECTION - TOP, 14 SPI CS CFR (AUSTEMPERED)			279316			
	SECTION - TOP, 14 SPI CS CFR (BUSATIS)			279848			
	SECTION - BTM, 14 SPI CS (AUSTEMPERED)			279312			
	SECTION - BTM, 14 SPI CS (BUSATIS)			279850			
	SECTION - 1/2, 14 SPI			118498			
SECTION - 1/2, NON-SERR (AUSTEMPERED)			279468				
SECTION - HALF, NO SPI			118486				
RTD FINGERS	FINGER ASSEMBLY (BOX OF 5) CA25	220938					
	KIT - FINGER HOLDER SPLIT CA25	274276					
	KIT - FINGER HOLDER SPLIT FM100	276839					
HARDWARE	NUT - SICKLE					135626	135627*
	SCREW (1") - SICKLE					135632	135633
	SCREW (5/8") - SICKLE					135628	135629
	SCREW (1 1/8") - SICKLE					135634	135635
	SCREW (7/8") - SICKLE					135630	135631
	SCREW (1/2") 90 CS - SICKLE					174165	
	STANDARD SECTION BOLT, 50 PACK - 5/8" W/ NUTS					52413	
	LONG KNIFE HEAD BOLT, 25 PACK - 1 1/8" W/NUTS					52414	
	TOP COUNTERSUNK BOLT, 25 PACK - 1/2"					52416	
	LONG KNIFE HEAD BOLT, 25 PACK - 1" W/ NUTS					52417	
	MEDIUM KNIFE HEAD BOLT, 25 PACK - 7/8" W/ NUTS					52418	

*2000 Pack

Filter Quick Reference Chart

WINDROWERS

M SERIES

MODELS	HYDRAULIC - 10 MICRON	HYDRAULIC	HYDRAULIC CYLINDER	HYDRAULIC HEADER DRIVE	ENGINE OIL	FUEL PRIMARY	FUEL SECONDARY	FUEL TANK	FUEL STRAINER	ENGINE AIR PRIMARY	ENGINE AIR SECONDARY	CAB	CAB RETURN AIR
M100	320360	112419			166047	111972	166049	163989	111608	112687	112688	42445	109797
M105	320360	112419			111974	111972	166312	163989	111608	111954	111955	42445	109797
M150 <SERIAL# 174610	110474	112419			111974	111972	111973	163989	111608	111954	111955	111060	109797
M150 SERIAL# 174610>	110474	112419			111974	111972	166312	163989	111608	111954	111955	111060	109797
M155	320360	112419			111974	111972	166312	163989	111608	111954	111955	111060	109797
M155 E4	320360	112419			111974	205028	205029	163989	207200	203621	203622	111060	109797
M200	110474	112419			163912	163913	163914	163989	111608	111954	111955	111060	109797
M205		112419			111974	111972	166312	163989	111608	138685	139077	111060	109797
M1170	201713	320360			111974	205028	205029		111608	111954	111955	111060	109797
M1240	201713	320360			111974	205028	205029		111608	138685	139077	111060	109797

ISUZU ENGINE 9352I - 8152I - 4952I - 2952I

ALL			112419	45205	111380	111379		21052	111608	112687	112688	42445	
-----	--	--	--------	-------	--------	--------	--	-------	--------	--------	--------	-------	--

CUMMINS ENGINE 9250/9350/9352/9352c - 8140/8150/8152/8152c - 4040/4950/4952/4952c - 2940/2950/2952/2952c

N/A SERIAL# 138990			45373	45205	25849	25850	25851	21052		111060	111061	42445	25086
N/A SERIAL# 138990-162249			112419	45205	25849	25850	25851	21052		111060	111061	42445	25086
N/A SERIAL# 162250			112419	45205	111690	111689	25851	21052		111060	111061	42445	25086
TURBO SERIAL# 138990			45373	45205	25849	25850	25851	21052		111134	111135	42445	25086
TURBO SERIAL# 138990-162249>			112419	45205	25849	25850	25851	21052		111134	111135	42445	25086
TURBO SERIAL# 162250-174609			112419	45205	111690	111689	25851	21052		111134	111135	42445	25086
TURBO SERIAL# 174610			112419	45205	111690	162034	25851	21052		112687	112688	42445	25086

CUMMINS ENGINE 9000/9200/9300 - 4900/4920/4930 - 2900/2920/2030

NATURALLY ASPIRATED (N/A)			45205	45205	25849	25850	25851	21052		30049	30050	42445	
TURBO SERIAL# 117410			45205	45205	25849	25850	25851	21052		30049	30050	42445	
TURBO SERIAL# 117410>			45205	45205	25849	25850	25851	21052		111060	111061	42445	

COMBINE ADAPTERS

871 / 872 / 873	45205												
CA20	320360												
CA25 (SQUARE TYPE SEAL FOR PARKER)	320360												
CA25 (O-RING TYPE SEAL FOR BOSCH)	320360												
FM100	320360												

AUGER HEADERS

5000	30895												
5010	30895												
5020	30895												
A30 / A40 / A40X	320360												

ROTARY DISCS

R80/R85	320360												
R100	320360												

COMBINE PICKUP

PRODUCT IDENTIFICATION	MODEL	YEAR
MACDON	PW8	2015 - PRESENT
CHALLENGER	4300	2015 - 2021
CLAAS	SWATHUP 450	2015 - PRESENT
GLEANER	4300	2015 - 2021
MASSEY FERGUSON	4300	2015 - 2021
FENDT	4300	2019 - 2021
MACDON	PW7 SWATHMASTER & PW7 RAKEUP	2007 - 2014
CASE	2015 & 2016	2007 - 2012
NEW HOLLAND	76C	2007 - 2012
CHALLENGER	PH13 & PH15	2007 - 2012
CLAAS	P514, P516, P420, P480	2007 - 2012
GLEANER	4200	2007 - 2012
MASSEY FERGUSON	4200	2007 - 2012

OFF SET ADAPTER

PRODUCT IDENTIFICATION	MODEL	YEAR
MACDON	801	1999 - 2000
NEW HOLLAND	801	1999 - 2000
MACDON	901	1992 - 1997
NEW HOLLAND	901	1992 - 1997

CENTER MOUNT ADAPTER

PRODUCT IDENTIFICATION	MODEL	YEAR
MACDON	802	1998 - 2000
NEW HOLLAND	802	1998 - 2000
MACDON	902	1992 - 1997
NEW HOLLAND	902	1992 - 1997

COMBINE ADAPTER / FLOAT MODULE

PRODUCT IDENTIFICATION	MODEL	YEAR
MACDON	CA20	2007 - 2012
CASE	CA20	2007 - 2013
NEW HOLLAND	CA20	2007 - 2013
MACDON	873	2003 - 2006
CASE	873	2003 - 2006
NEW HOLLAND	873	2003 - 2006
CAT / LEXION	873	2003 - 2006
MACDON	872	2001 - 2002
CASE	872	2001 - 2002
CAT / LEXION	872	2001 - 2002
MACDON	871	1998 - 2000
CASE	871	1998 - 2000
CAT / LEXION	871	1998 - 2000
MACDON	960	1992 - 1997
CASE	960	1992 - 1997
CAT / LEXION	960	1997

DRAPER HEADER

PRODUCT IDENTIFICATION	MODEL	YEAR
MACDON	D1 XL	2016 - PRESENT
JOHN DEERE	1430D/1435D/1440D/1445D	2019 - PRESENT
MACDON	D1 X	2016 - PRESENT
JOHN DEERE	1415D/1420D/1425D	2019 - PRESENT
MACDON	D65	2012 - 2018
JOHN DEERE	415D/420D/425D/430D/435D/440D	2013 - 2018
MACDON	FD70	2006 - 2011
CASE	2162	2007 - 2013
NEW HOLLAND	86C	2008 - 2013
MACDON	D60	2007 - 2011
CASE	2152	2007 - 2013
NEW HOLLAND	83C	2008 - 2013
MACDON	D50	2008 - 2011
CASE	2142	2007 - 2013
NEW HOLLAND	82C	2007 - 2013
MACDON	974	2003 - 2006
CASE	2062	2003 - 2006
NEW HOLLAND	84C	2003 - 2006
MACDON	973	2003 - 2006
CASE	2052	2003 - 2006
MACDON	972	1998 - 2006
CASE	2042	2003 - 2006
MACDON	970	1996 - 1998
CASE	1052	1996 - 2000
MACDON	962*	1998 - 2002
CASE	1042*	1996 - 2000
MACDON	960*	1996 - 1998
CASE	1040*	1990 - 1995

*Had 2000/2000B Pick-Up Reel option

Model Cross Reference Guide

AUGER HEADER FOR SELF-PROPELLED WINDROWER

PRODUCT IDENTIFICATION	MODEL	YEAR
MACDON	A40 D	2012 - PRESENT
JOHN DEERE	160A / 180A	2013 - PRESENT
MACDON	A40 DX	2016 - PRESENT
JOHN DEERE	1160A / 1180A	2018 - PRESENT

PULL-TYPE WINDROWER*

PRODUCT IDENTIFICATION	MODEL	YEAR
MACDON	3020	2002 - 2007
PRAIRIE	4620	2002 - 2007
PREMIER	1920	2002 - 2007
WESTWARD	3020	2002 - 2007
HARVEST PRO	8020	2003 - 2006
MACDON	3000	1989 - 2001
PRAIRIE STAR	4600	< 1988 - 2001
PREMIER	1900	1989 - 2001
WESTWARD	3000	1988 - 2001
MACDON	PRAIRIE MAC 3000	< 1988
CASE	75 700 SERIES	< 1988
NEW HOLLAND	109	< 1988
JOHN DEERE	590	< 1988
JOHN DEERE	580	< 1988
MASSEY FERGUSON	613	< 1988
MASSEY FERGUSON	625	< 1988
RENN	1000	< 1998
WHITE	610	< 1998
WHITE	630	< 1998
WHITE	650	< 1998

*All Pull Type Windrowers had 2000/2000B Pick-Up Reel option

PULL-TYPE MOWER CONDITIONER

PRODUCT IDENTIFICATION	MODEL	YEAR
MACDON	5020	2003 - 2007
FRONTIER	M1200	2003 - 2007

SELF-PROPELLED WINDROWER

PRODUCT IDENTIFICATION	MODEL	YEAR
MACDON	M1170	2016 - PRESENT
JOHN DEERE	W170*	2019 - PRESENT
MACDON	M155 E4	2014 - PRESENT
JOHN DEERE	W155*	2014 - PRESENT
MACDON	M155	2011 - 2018
JOHN DEERE	W150	2013 - 2017
MACDON	9352c	2007
PRAIRIE STAR	4952c	2007
PREMIER	2952c	2007
MACDON	9352i	2003 - 2006
HARVEST PRO	8152i	2003 - 2006
PREMIER	2952i	2003 - 2006
PRAIRIE STAR	4952i	2003 - 2006
WESTWARD	9352i	2003 - 2006
MACDON	9352 / 9530 / 9250	2002 - 2006
HARVEST PRO	8152 / 8150 / 8140	2002 - 2006
PREMIER	2952 / 2950 / 2940	2002 - 2006
PRAIRIE STAR	4952 / 4950 / 4940	2002 - 2006
WESTWARD	9352 / 9350 / 9240	2002 - 2006
MACDON	9300 / 9200	1996 - 2002
PREMIER	2920 / 2930	1996 - 2002
PRAIRIE STAR	4920 / 4930	1996 - 2002
WESTWARD	9300 / 9200	1996 - 2002

*Uses John Deere engines so certain components may not be cross compatible

SELF-PROPELLED WINDROWER (CONT'D)

PRODUCT IDENTIFICATION	MODEL	YEAR
MACDON	9000	1992 - 1995
PREMIER	2900	1992 - 1995
PRAIRIE STAR	4900	1992 - 1995
WESTWARD	9000	1992 - 1995
MACDON	7000	< 1988 - 1992
JOHN DEERE	2360	1989 - 1991
PRAIRIE STAR	4800	1991
WESTWARD	7000	1989 - 1991
MACDON	HYDRO MAC	< 1988
CASE	6500 / 6000	1989
NEW HOLLAND	1090	< 1988
MASSEY FERGUSON	962*	1998 - 2002
RENN	2000	< 1988
WHITE	6400 / 6200	< 1988

*Uses John Deere engines so certain components may not be cross compatible

CORN HEADER

PRODUCT IDENTIFICATION	MODEL	YEAR
MACDON	FC SERIES	2023 - PRESENT
MACDON	C SERIES	2018 - PRESENT
OROS	CORNADO	2007 - PRESENT
HARVESTEC	6000 SERIES	2012 - 2018
HARVESTEC	5000 SERIES	2010 - 2013
OROS	SF	2002 - 2013
HARVESTEC	4000 SERIES	2002 - 2013
OROS	OROS 2	1998 - 2015
OROS HARVESTEC	GEN 3	2002 - 2009
OROS		1992 - 2004
UNI HARVESTEC	GEN 2	1998 - 2001

MACDON HEADERS TO WINDROWERS COMPATIBILITY														
AUGER HEADERS TO WINDROWERS														
MODELS	M1240	M1170	M1170NT / M1170NT5	M205	M200	M155E4	M155	M150	M105 / M100	9352c	9352i / 9352 9350 / 9250	9300 / 9200	9000	7000
A40DX / A40DX GSS	✓	✓												
A40D / A40D GSS / A30D				✓	✓	✓	✓	✓	✓					
933 / 922 / 912										✓	✓	✓		
932 / 930 / 920 / 910												✓	✓	
7000 HARVEST HEADER														✓
DRAPER HEADERS TO WINDROWERS														
D1X / D1XL	✓	✓	✓											
D1				✓	✓	✓	✓	✓	✓					
D65				✓	✓	✓	✓	✓	✓					
D60 / D50				✓	✓	✓	✓	✓	✓					
973 / 972										✓	✓			
963* / 962*										✓	✓	✓	✓	
970												✓		
960*												✓	✓	
7000														✓
ROTARY HEADERS TO WINDROWERS														
R216SP	✓	✓**		✓		✓**								
R116SP		✓				✓								
R113SP	✓	✓		✓		✓	✓							
R85SP (16')	✓			✓	✓									
R85SP (13')				✓	✓	✓	✓	✓						
R80SP (16')				✓	✓									
R80SP (13')				✓	✓	✓	✓	✓						

FLOAT MODULES / TRACTOR MOUNTS / COMBINE ADAPTERS TO DRAPER HEADERS COMPATIBILITY										
MODELS	FM200	FM100	TM100	CA25	CA20	873	872	871	960	7000 HARVEST HEADER
FD2	✓									
D2	✓		✓							
FD1		✓								
D1		✓	✓							
FD75 / D65				✓						
FD70 / D60 / D50					✓					
974 / 973 / 972 / 963*						✓				
972 / 962*							✓	✓		
970 / 960*									✓	
7000 HARVEST HEADER										✓

Notes:

- * 963/962/960 had 2000/2000B Pick-Up Reel Option
- ** Extra kits are required

MacDon® *Performance Parts*



MacDon® *Performance Parts*

MacDon.com